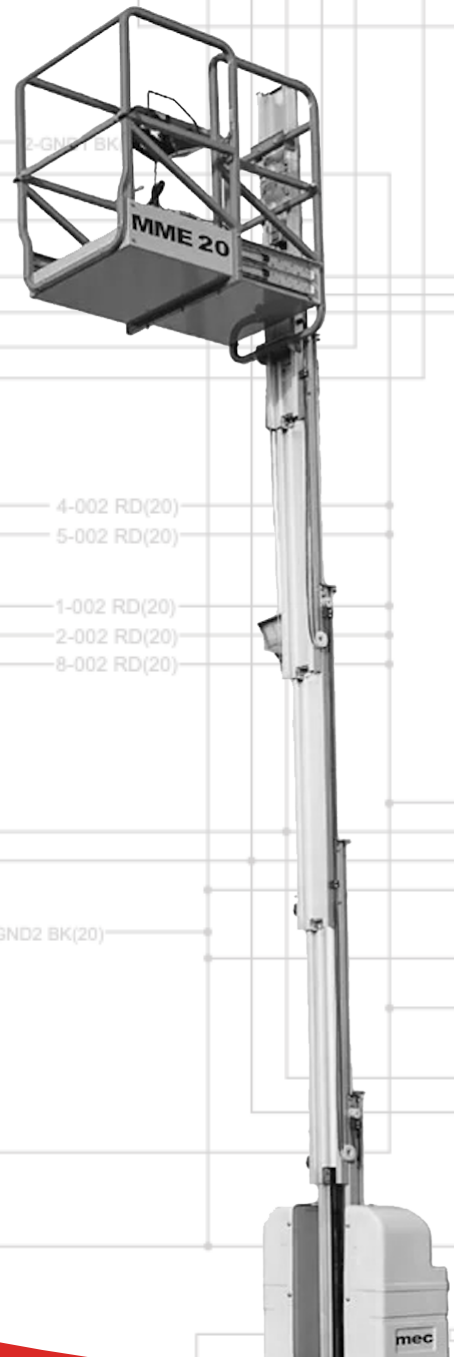
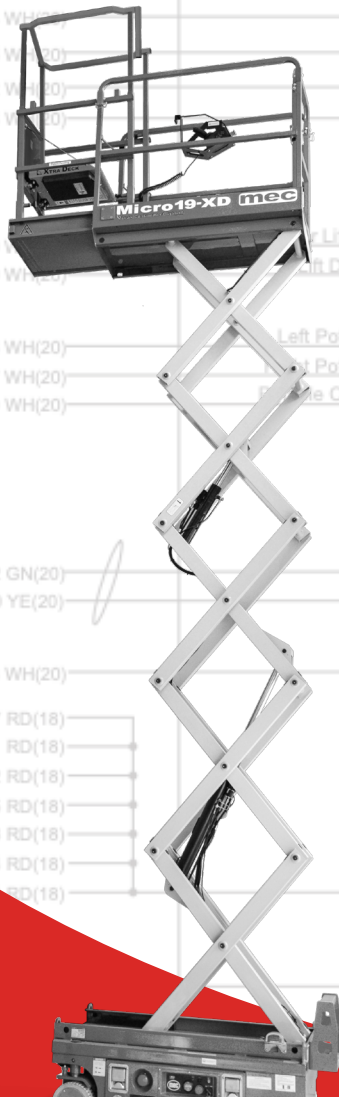


Options & Accessories

Vertical Mast Lifts and Slab Scissors



RD(5) SB1 Power Switch FUJ 150A RD(5)

GB1 Inter RD(5)

003 RD(14)

002 RD(14)

PW OUT WH(18)

BK(5)

00V Input

PCU Power > 53 > A53 BN(18)

Right Steer > 4 > A04 WH(20)

Left Steer > 5 > A05 WH(20)

Platform Extended Switch > 32 > A32 WH(20)

Outdoor Lift Up Switch > 36 > A36 WH(20)

Indoor Lift Up Switch > 29 > A29 WH(20)

Lift Down Switch > 30 > A30 WH(20)

Left Pothole Switch > 6 > A06 WH(20)

Right Pothole Switch > 7 > A07 WH(20)

Pothole Check Switch > 20 > A20 WH(20)

CAN_L > 12 > A12 GN(20)

CAN_H > 40 > A40 YE(20)

Beacon > 18 > A18 WH(20)

Power > 27 > A27 RD(18)

Power > 41 > A41 RD(18)

Power > 42 > A42 RD(18)

Power > 15 > A15 RD(18)

Power > 15 > A43 RD(18)

Power > 15 > A44 RD(18)

Power > 15 > A45 RD(18)

HL1 Beacon 1-GND2 BK(20)

SQ3 4-002 RD(20)

SQ4 5-002 RD(20)

SQ1 1-002 RD(20)

SQ2 2-002 RD(20)

SQ5 8-002 RD(20)

GND BK(20)

mecc

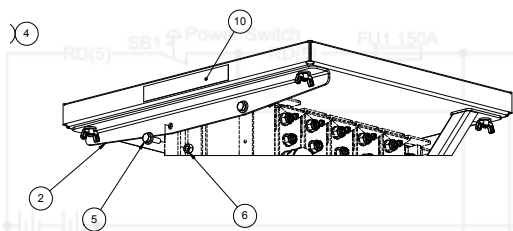
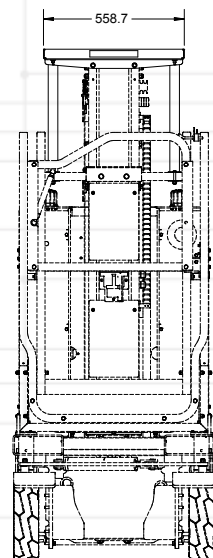


TABLE OF CONTENTS

Perimeter Laser Lighting	3
1000W Inverter	4
Sheet Material Tray	5
Anti-Fatigue Mat	6
Pipe Racks	7
Tool Tray	8
Upper Control Box Guard	9
2x2 Ceiling Grid Platform	10
Mast Tool and Material Trays	11
Proactive Platform Safety System® (PPSS)	12
Cold Weather Package	13
AFTERMARKET ONLY	
LED Perimeter Lighting Kit	15
Mesh Platform Kits For Slab Scissors	15

Photos and diagrams in this brochure are for illustrative purposes only



Perimeter Laser Lighting



MEC's Perimeter Laser Lighting solves the challenge of dropped object risk by projecting a precise laser pattern onto the floor, clearly marking a warning zone around an active scissor lift. This laser solution offers great adjustability, superior quality, and performance creating a distinct, thin, long line safety perimeter around the machine. On floors with load limits, the lights outline the area outside the machine without overlapping, enhancing safety for load leveling.

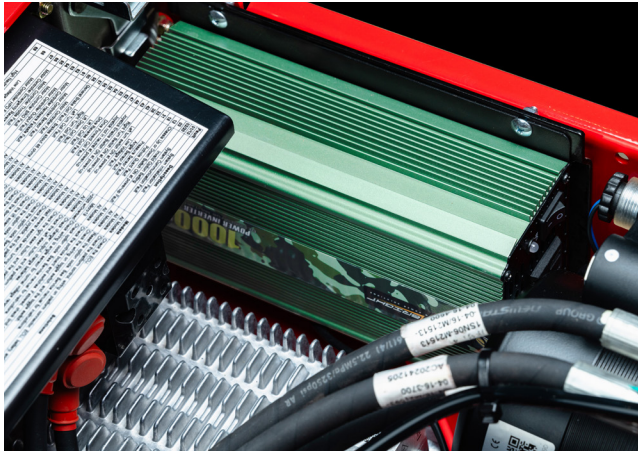
An LED perimeter light is also available for Aftermarket installation.

Why Invest in Perimeter Laser Lighting?

- Enhanced Safety:** Clearly marks a safety perimeter zone around the lift to help prevent accidents.
- Precise Load Control:** Helps manage load limits by outlining safe areas.
- Reliable Performance:** Durable design ensures consistent safety benefits.

PRODUCT	AVAILABLE ON	PART NUMBER
Vertical Mast Lifts	MME20	45423
	MME25	45618
Slab Scissor Lifts	Micro19 [®]	80064
	Micro19 [®] -XD	
	Micro2032	45633
	Micro26 [®]	45286
	Micro26 [®] -XD	
	3232SE	80068
	3346SE	80069
	4046SE	
4555SE		

1000W Inverter



MEC's 1000W Inverter provides on board AC power at the platform for power tools and lithium power pack charging while avoiding the risks and limitations of overhanging power cords.

It efficiently converts DC energy into AC, allowing you to plug in and operate small power tools with ease. Ideal for enhancing on-site productivity, this inverter provides reliable, on-demand power where you need it most.

PRODUCT	AVAILABLE ON	PART NUMBER
Vertical Mast Lifts	MMAE16	45259
	MME20	44515
	MME25	
	MME30-RJ	47500
Slab Scissor Lifts	1330SE	41672
	Micro13®-XD	
	Micro19®	41893
	Micro19®-XD	
	Micro2032	47831
	1930SE	42789
	Micro26®	
	Micro26®-XD	
	2632SE	47221
	3232SE	
	3346SE	
	4046SE	
4555SE		

Sheet Material Tray



Factory designed and authorized for safe handling outside the platform. An efficient solution for holding and lifting sheet materials like drywall, plywood, and windows—**for indoor use only**.
U.S. Patent #8,678,135



1-1/2" Wide Sheet Material Tray: This sheet material tray has a 110 lb capacity, securely holding up to two drywall sheets, making material transport and installation at height more efficient.

2-1/2" Wide Sheet Material Tray: With a 250 lb capacity, this tray can hold up to four drywall panels, streamlining the process of transporting and installing materials at height.

Sheet Material Tray 1-1/2" Wide		Sheet Material Tray 2-1/2" Wide	
110 lb capacity		250 lb capacity	
AVAILABLE ON	PART NUMBER	AVAILABLE ON	PART NUMBER
Micro2032	41661	Micro2032	41729
1930SE		1930SE	41727
		2632SE	
		Micro26®	48387
		4046SE	45901

Anti-Fatigue Mat



MEC's Anti-Fatigue Mat is designed to reduce the strain of standing on steel and concrete, particularly when wearing a toolbelt. This premium 3/4-inch mat is crafted from recycled cushion materials to minimize joint fatigue, offering relief for both new and seasoned workers. Custom-cut to fit various platforms, it provides a tailored solution to enhance comfort and productivity on the job.

Why is MEC's Anti-Fatigue Mat a Good Investment?

- **Maximize Comfort on the Job:** By significantly reducing joint strain from standing on hard surfaces, this mat helps keep workers comfortable throughout the day.
- **Boost Worker Efficiency:** The mat's cushioning effect allows for longer, more focused work sessions with less fatigue.
- **Tailored Precision:** Custom-cut to fit your platform perfectly, ensuring optimal coverage and support where it's needed most, making it an essential addition for enhancing job site ergonomics.

PRODUCT	AVAILABLE ON	PART NUMBER
Vertical Mast Lifts	MME20	47297
	MME25	
Slab Scissor Lifts	Nano10®-XD	47298
	1330SE	47299
	Micro13®-XD	
	Micro19®	
	Micro19®-XD	

Pipe Racks

3" Standard Pipe Rack	
AVAILABLE ON	PART NUMBER
Micro [®] 13-XD	43526 <i>100 lb Cap</i>
Micro [®] 19-XD	
Micro [®] 26-XD	
Micro26 [®] -XDAE	

5" Standard Pipe Rack	
AVAILABLE ON	PART NUMBER
2632SE	43552 <i>100 lb Cap</i>
3232SE	
3346SE	
4046SE	
4555SE	

6" Heavy Duty Pipe Rack	
AVAILABLE ON	PART NUMBER
3346SE	48299 <i>250 lb Cap</i>
4046SE	
4555SE	

4" Standard Pipe Rack	
AVAILABLE ON	PART NUMBER
NANO10-XD	33415 <i>100 lb Cap</i>
1330SE	43526 <i>100 lb Cap</i>
1330AE	
1930SE	
Micro [®] 19	
Micro [®] 19-AE	
Micro [®] 26	48380 <i>100 lb Cap</i>
Micro [®] 26-AE	
Micro2032	

9" Standard Pipe Rack	
AVAILABLE ON	PART NUMBER
3346SE	44558 <i>100 lb Cap</i>

12" Heavy Duty Pipe Rack	
AVAILABLE ON	PART NUMBER
4555SE	48396 <i>300 lb Cap</i>

Tool Tray



MEC's Tool Tray is designed for both convenience and efficiency, featuring a metal construction that attaches and detaches effortlessly with two simple thumb screws. Its roughly L-shaped design fits neatly into the front corner of the slide-out deck, ensuring it barely intrudes on your workspace. The tray measures approximately 3" wide, with each leg of the L extending 12"—just the right size to hold the base of a cordless drill.

For larger scissors, the tray is 4" wide and 14" long. It also includes space separators and dividers for organizing hardware, minimizing platform intrusion and making it particularly well-suited for smaller, compact platforms.

PRODUCT	AVAILABLE ON	PART NUMBER
Slab Scissor Lifts	Nano10®-XD	47824
	Micro13®-XD	47302
	Micro®19-XD	
	1330SE	41721
	1930SE	
	Micro19®	
	Micro2032	
	Micro26®	
	Micro26®-XD	48409
	2632SE	41740
	3232SE	
	3346SE	
	4046SE	
	4555SE	

Upper Control Box Guard



Crafted from aluminum, this accessory provides enhanced control handle coverage. Designed to safeguard the machine's platform controls, it effectively prevents loose debris from entering the control box and reduces the risk of unintentional joystick movements.

PRODUCT	AVAILABLE ON	PART NUMBER
Vertical Mast Lifts	MME20	45255
	MME25	
Slab Scissor Lifts	1330SE	41898
	Micro13 [®] -XD	
	1930SE	
	Micro19 [®]	
	Micro19 [®] -XD	
	Micro2032	
	Micro26 [®]	
	Micro26 [®] -XD	
	2632SE	
	3232SE	
	3346SE	
	4046SE	
4555SE		

Why Invest in the Upper Control Box Guard?

- **Prevent Costly Repairs:** Protects controls from debris, reducing maintenance needs, and extending equipment life.
- **Boost Equipment Reliability:** Keeps platform controls in top condition, ensuring consistent performance.

2x2 Ceiling Grid Platform



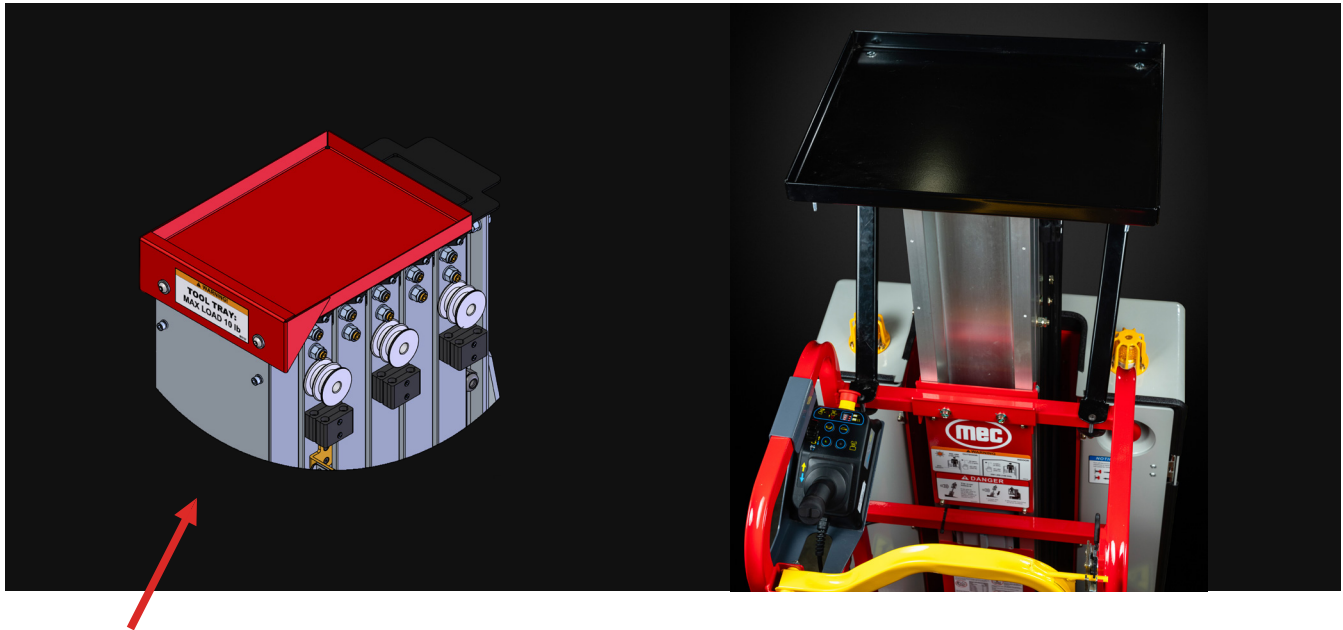
Engineered to enhance both reach and productivity— with dimensions that allow access through a 2' x 2' ceiling grid— enabling operators to navigate and work efficiently in tight, confined spaces such as ceiling openings and overhead structures.

This platform is specifically designed to provide secure entry into narrow areas, including ceiling grids and joists, ensuring that you can work efficiently and effectively in even the most restricted environments.

PRODUCT	AVAILABLE ON	PART NUMBER
Vertical Mast Lifts	MME20	44848
	MME25	

Mast Tool and Material Trays

Conveniently located above the mast assembly to provide a place for tools and hardware without taking up space in the work area of the platform.



Mast Hardware Tool Tray (10 lbs)		Mast Material Tray (50 lbs)		Mast Material Tray (100 lbs)	
Designed to securely attach to the mast, this tray can hold up to 10 lbs of essential tools, keeping them organized and easily accessible during work. Its sturdy construction ensures stability, even when the mast is in motion, making it a valuable addition for efficient jobsite operations.		This tray holds up to 50 lbs of tools. Attached to the mast, it offers a stable and convenient solution for keeping essential tools within reach during work. Its durable construction ensures it can withstand the demands of the jobsite, making it a key component for enhanced efficiency and productivity.		A robust accessory, the material tray is built to support up to 100 lbs of materials. Securely attached to the mast, it provides a stable platform for holding essential supplies during work. Its durable construction ensures reliable performance, making it an essential addition for efficient material handling on the jobsite.	
AVAILABLE ON	PART NUMBER	AVAILABLE ON	PART NUMBER	AVAILABLE ON	PART NUMBER
MME20	18566	MMAE16	18597	MME20	18589
MME25				MME25	

Proactive Platform Safety System® (PPSS)



This innovative solution is designed to alert MEC scissor lift operators by proactively warning them of overhead hazards with the goal of collision and entrapment avoidance. A “cone” of safety is projected to detect objects above the machine operator. The sensor will begin detecting obstacles 12 feet above the platform floor. An alarm will sound when an object is identified within the cone, and the frequency of beeps will increase as the object gets closer. By default, the system is set to “Warn Only,” while “Warn & Stop” can be selected through the menu at the ground controls to automatically stop the machine.

*Installation capability should be confirmed by serial number as not all options are available on early models. Contact product support for more information.

PRODUCT	AVAILABLE ON	PART NUMBER
Vertical Mast Lifts	MME20	47369*
	MME25	
Slab Scissor Lifts	1330 SE	41975*
	Micro13®-XD	
	Micro19®	
	Micro19®-XD	
	1930SE	47275*
	Micro2032	
	Micro26®	
	Micro26®-XD	
	2632SE	
	3232SE	
	3346SE	
	4046SE	
4555SE		



Cold Weather Package



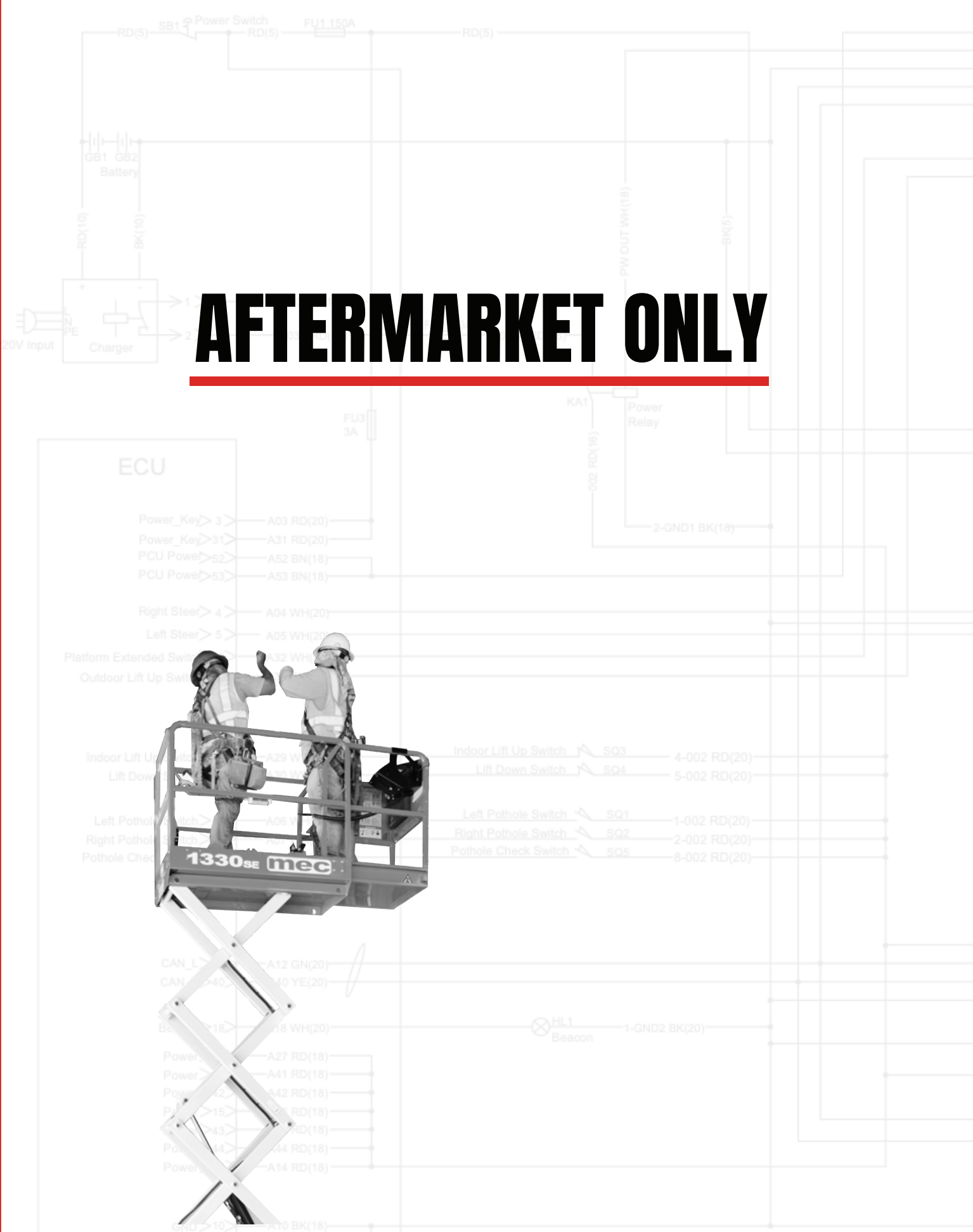
MEC's Cold Weather Package is designed to boost performance in low temperatures and includes a battery blanket for slab scissor machines and lighter viscosity hydraulic oil. It's effective in environments as cold as 0°F. For usage in even lower temperatures, please consult the factory.

PRODUCT	AVAILABLE ON	PART NUMBER
Vertical Mast Lifts	MME20	45272
	MME25	
Slab Scissor Lifts	1330SE	42739
	Micro13®-XD	
	Micro19®	41972
	Micro19®-XD	
	1930SE	41971
	Micro2032	
	Micro26®	
	Micro26®-XD	
	2632SE	41970
	3346SE	
4046SE		
4555SE		

Why Invest in MEC's Cold Weather Package?

- **Boost Performance:** Ensures equipment runs efficiently in temperatures as low as 0°F.
- **Reduce Downtime:** Minimize breakdowns and maintenance costs in cold conditions.
- **Protect Your Investment:** Safeguard components and extend equipment lifespan.
- **Enhance Safety:** Maintain optimal operation and reduce risks on the jobsite.

AFTERMARKET ONLY



AFTERMARKET ONLY
LED Perimeter Lighting Kit



PRODUCT	AVAILABLE	PART NUMBER
Vertical Mast Lifts	MME20	49050
	MME25	
Slab Scissor Lifts	1330SE	48625
	Micro13®-XD	
	Micro19®	48475
	Micro19®-XD	
	Micro2032	49057
	Micro26®	
	Micro26®-XD	
	3232SE	48632
	3346SE	48638
	4046SE	
4555SE	80069	

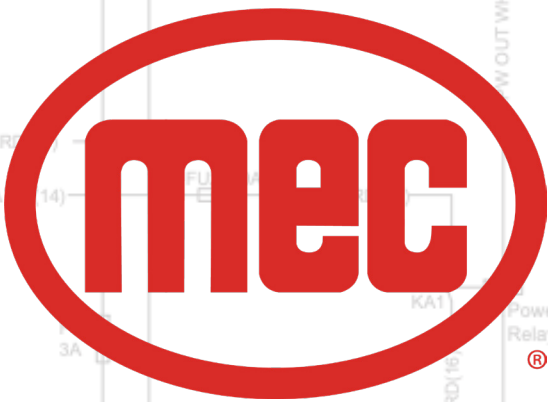
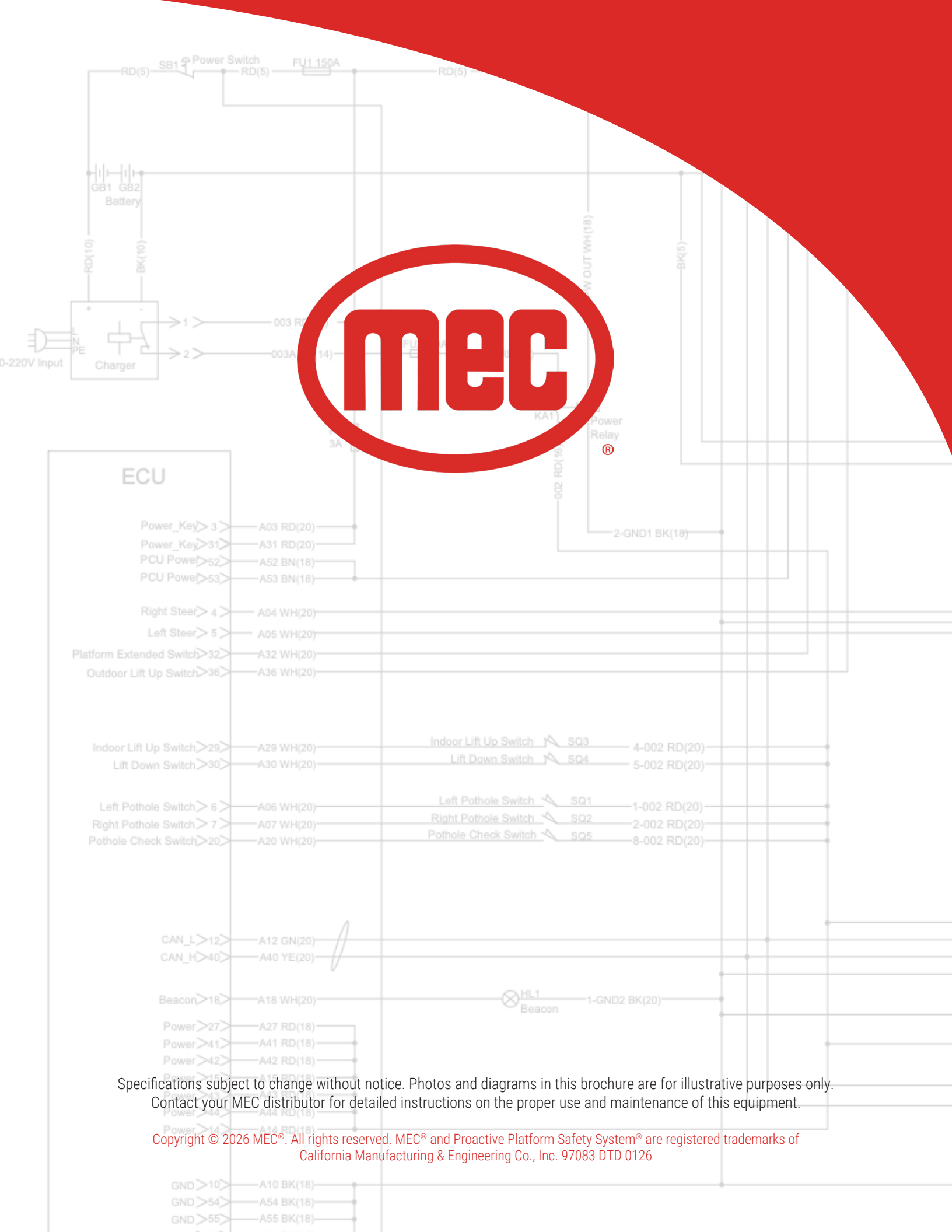
MEC's Perimeter Lighting Kit projects a red line onto the floor, clearly marking a safety warning zone around an active scissor lift as a means of supporting dropped object prevention initiatives. On floors with concentrated load limits, the lights outline the area outside the machine to help prevent overlapping.

AFTERMARKET ONLY
Nylon Mesh Platform Kits for Slab Scissors



AVAILABLE	PART NUMBER
1330SE	96780
1930SE	96781
Micro26®	97442
Micro2032	
Micro26®-XD	97541
Micro26®-XD+	
Micro19®	96782
Micro19®-XD	
2632SE	96783
3346SE	96784
4046SE	
4555SE	96785

MEC's Nylon Mesh Platform Kits for slab scissors are engineered to enhance safety and efficiency on the jobsite by preventing materials and tools from falling out of platforms at height. Designed specifically for full-height entry gate platforms on MEC slab scissor machines, these factory-approved kits are easy to install with just a screwdriver and are built for durability with lightweight aluminum for the mesh to top rail kits or stainless steel construction for mesh to mid rail kits. Meets requirements of most industrial jobsites.



Specifications subject to change without notice. Photos and diagrams in this brochure are for illustrative purposes only. Contact your MEC distributor for detailed instructions on the proper use and maintenance of this equipment.

Copyright © 2026 MEC®. All rights reserved. MEC® and Proactive Platform Safety System® are registered trademarks of California Manufacturing & Engineering Co., Inc. 97083 DTD 0126