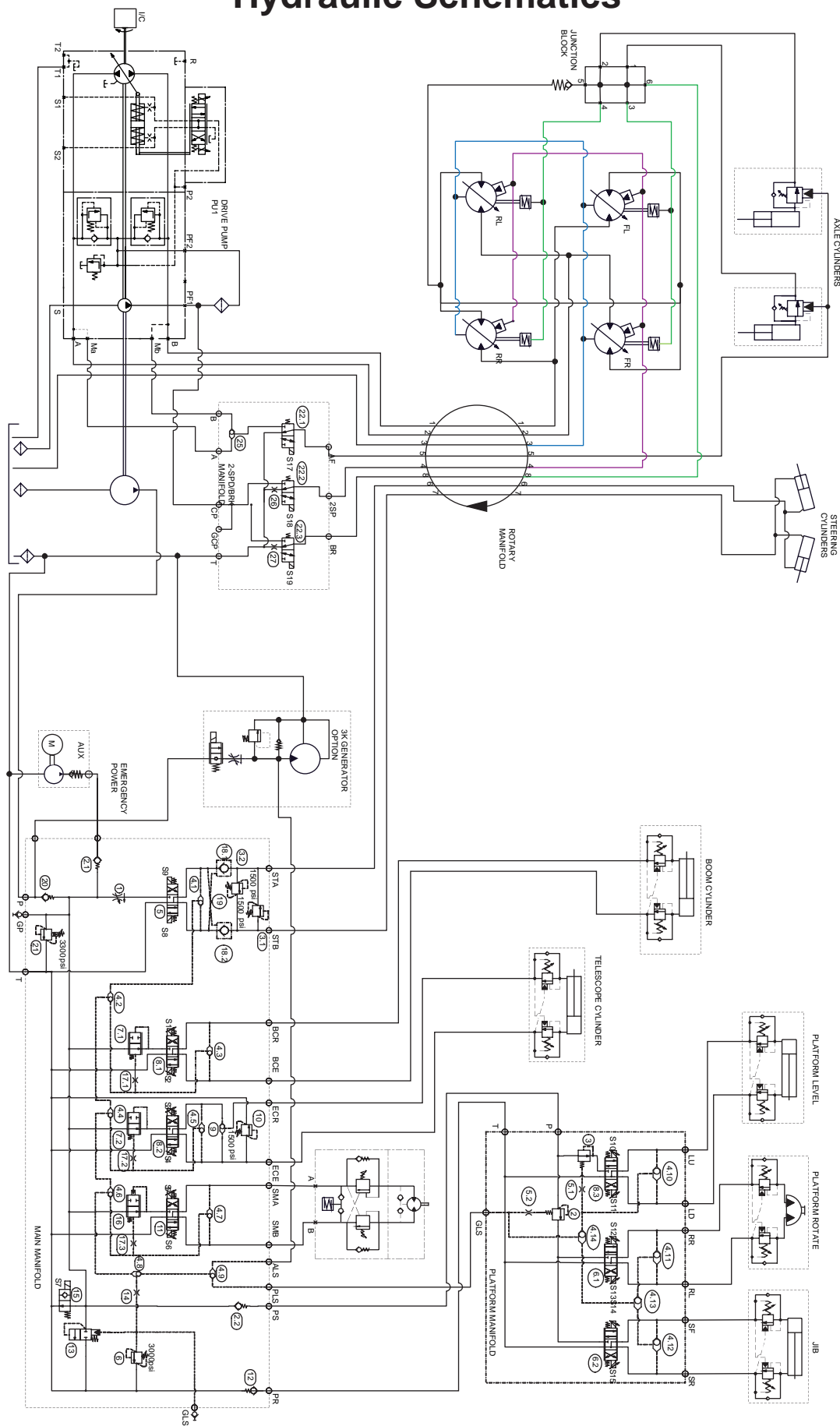
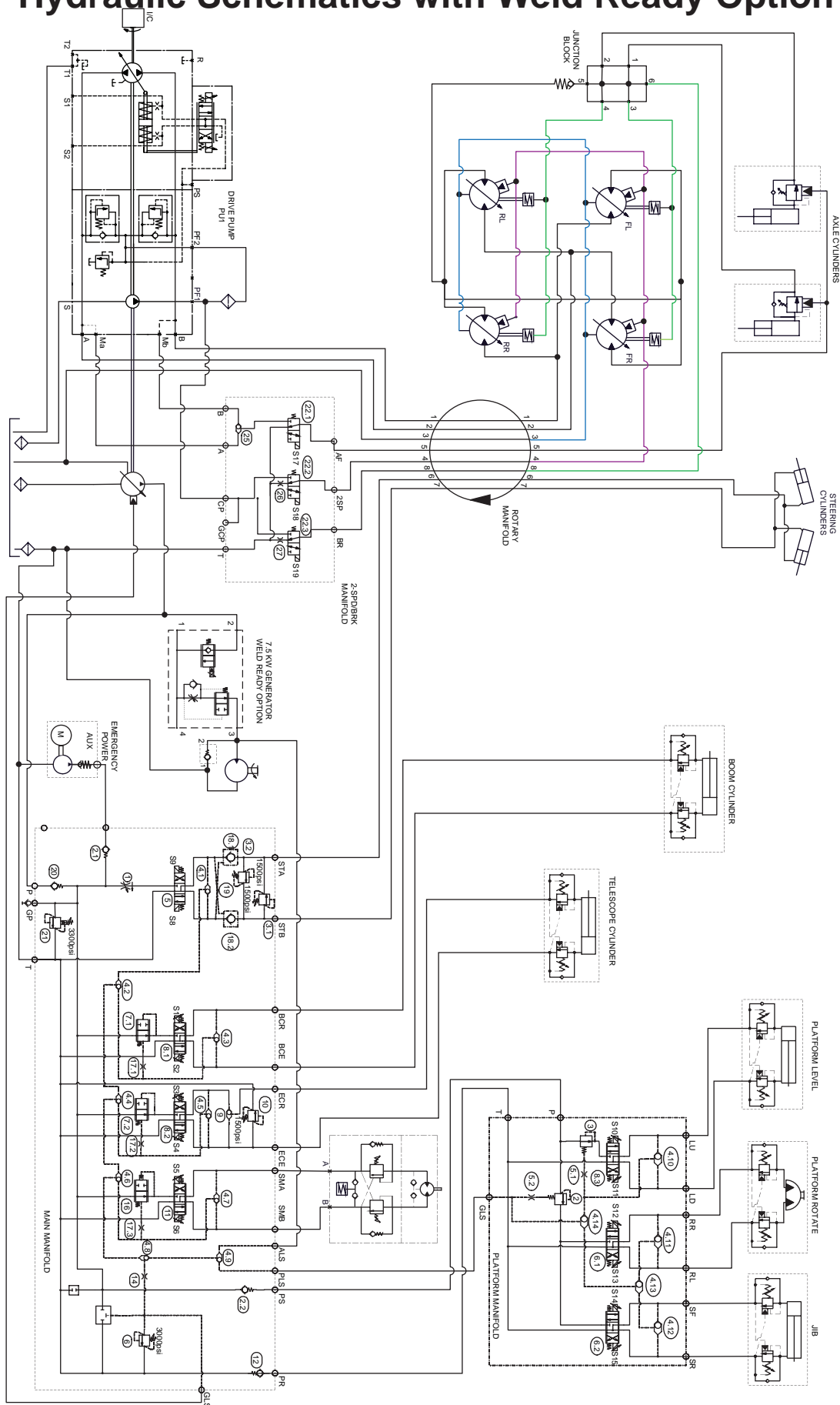


Hydraulic Schematics



Hydraulic Schematics with Weld Ready Option



Electric Schematic, Lower Control Box, Standard Machines

TO TURNTABLE SCHEMATIC PAGE 2 →

PAGE 1 OF 2

PUBLICATION ART NO.: ART_31300

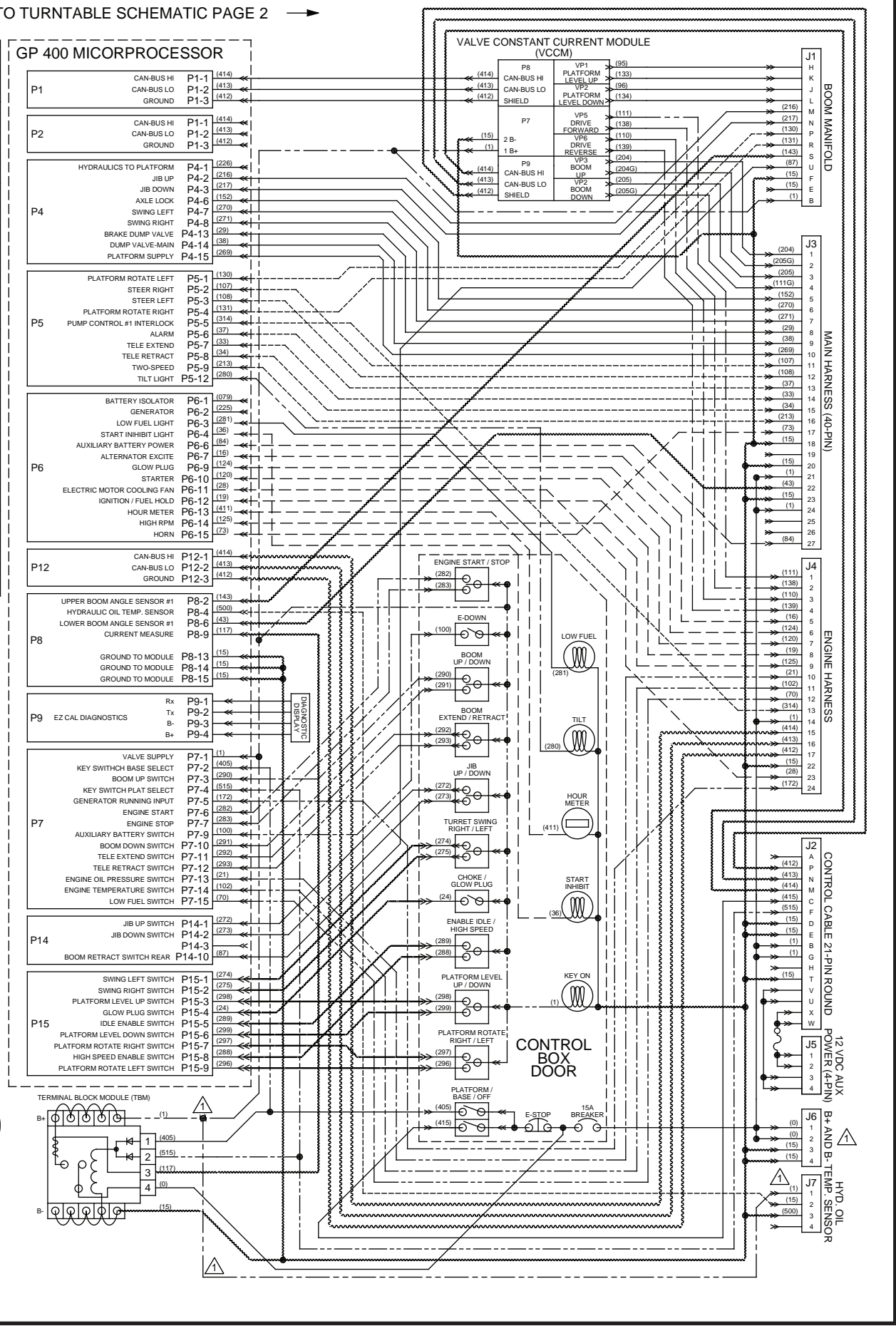
DRAWING NO.: 31300 REV. 00

SERIAL NO.: 14700001 & UP

SCHEMATIC -- LOWER CONTROLS

45-J DIESEL

STANDARD 45-J MACHINE - LOWER CONTROL BOX



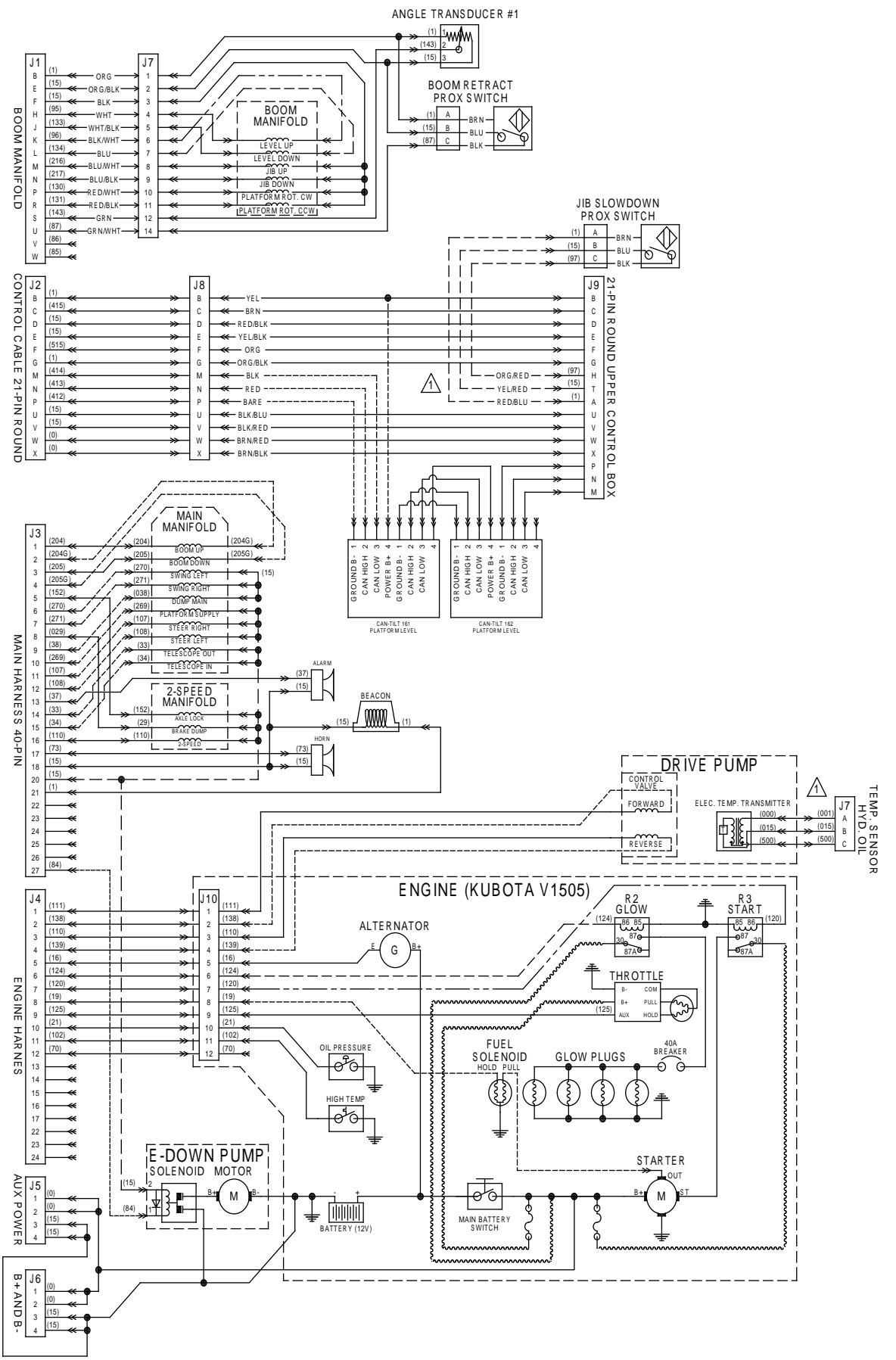
Electric Schematic, Chassis, Standard Machines

SCHEMATIC -- LOWER CONTROLS
 PUBLICATION ART NO.: ART_31300
 45-J DIESEL SERIAL NO.: 1470001 & UP DRAWING NO.: 31300 REV. 00

STANDARD 45-J MACHINE - TURNTABLE



PAGE 2 OF 2



Electric Schematic, Upper Controls Box, All Machines

ALL MACHINES -- Upper Controls Box
MEC SCHEMATIC -- Lower Controls Publication Art #: ART_4921
60-J Diesel Serial #14400001-UP Reference Art #: 28872

