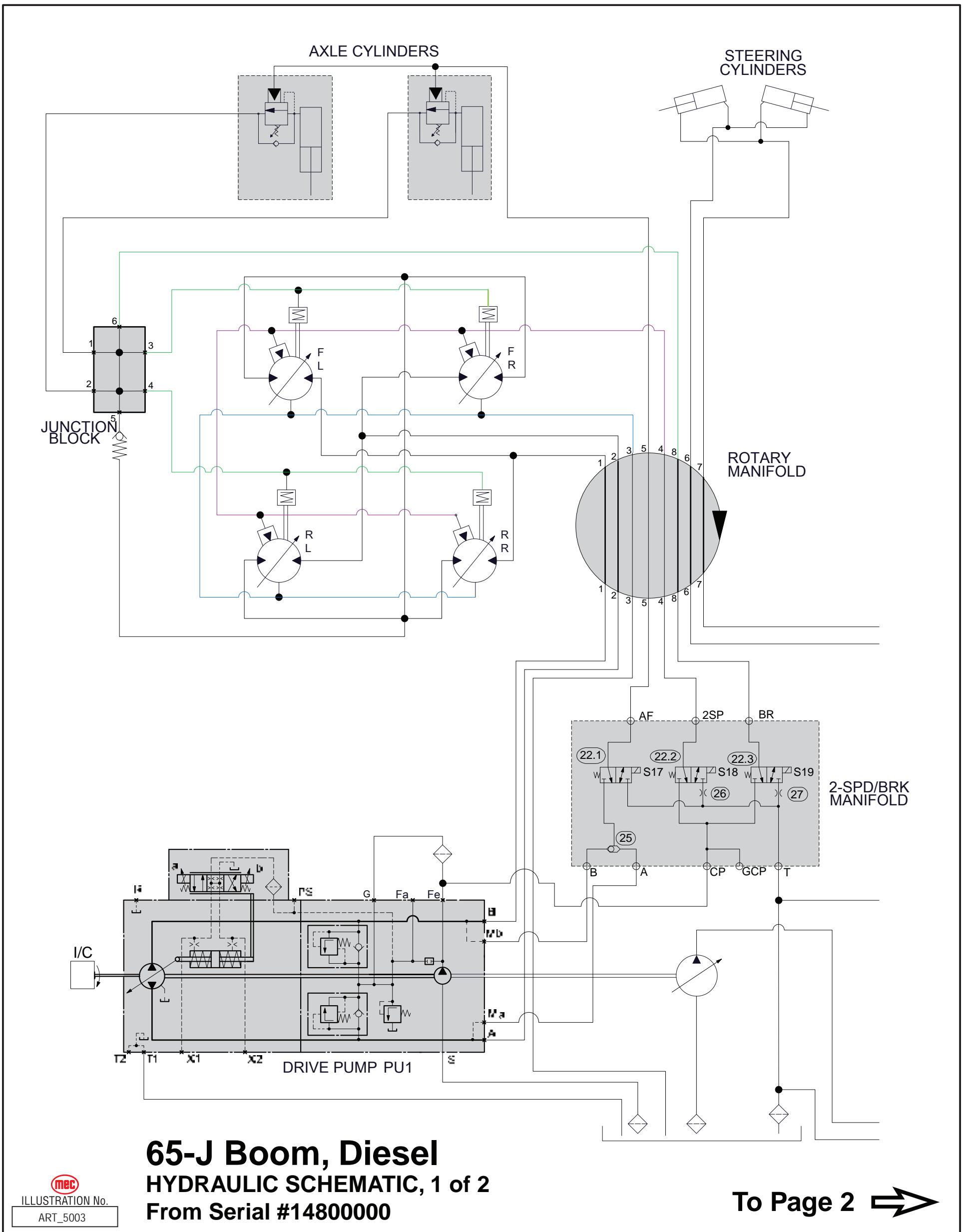
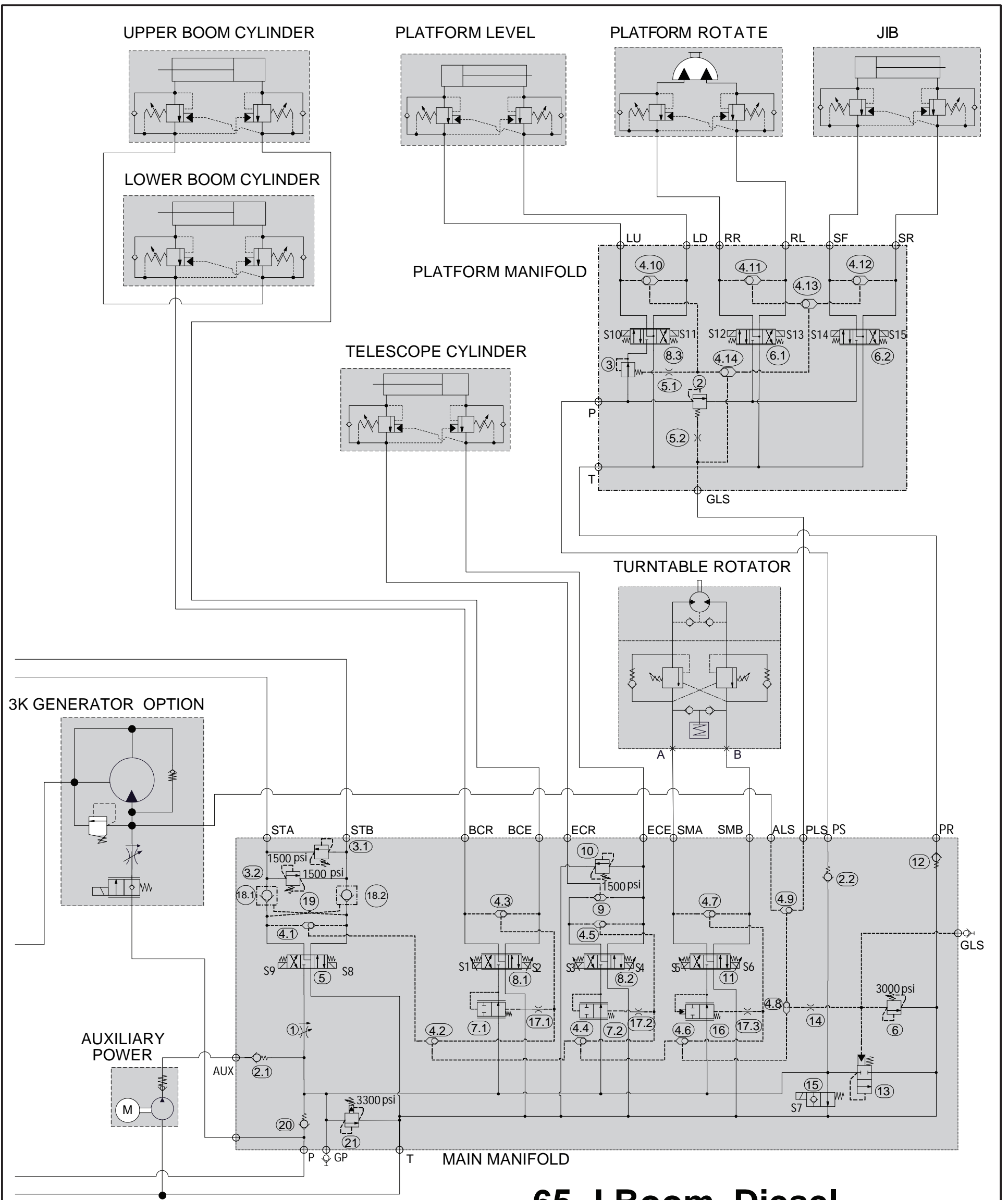


Hydraulic Schematic, Part 1



65-J Boom, Diesel
HYDRAULIC SCHEMATIC, 1 of 2
From Serial #14800000

Hydraulic Schematic, Part 2



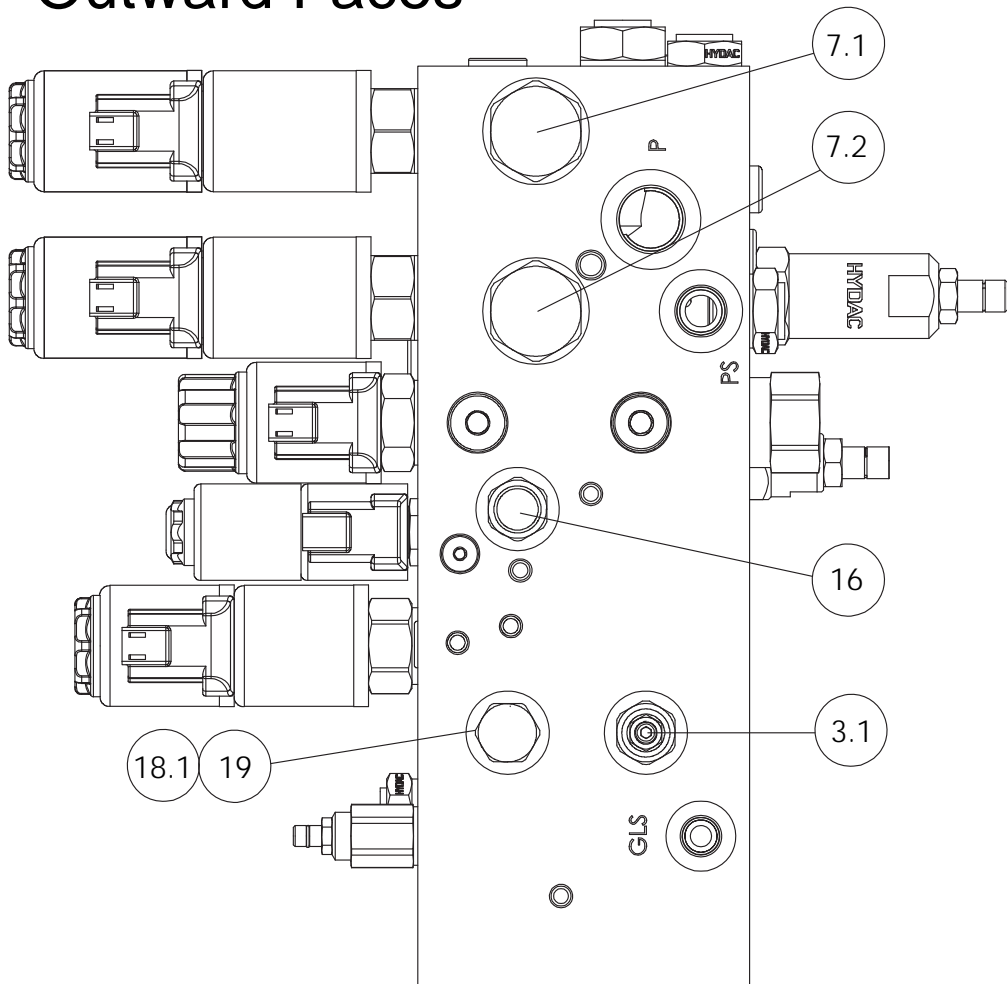
← To Page 1

65-J Boom, Diesel
HYDRAULIC SCHEMATIC, 2 of 2
From Serial #1480000

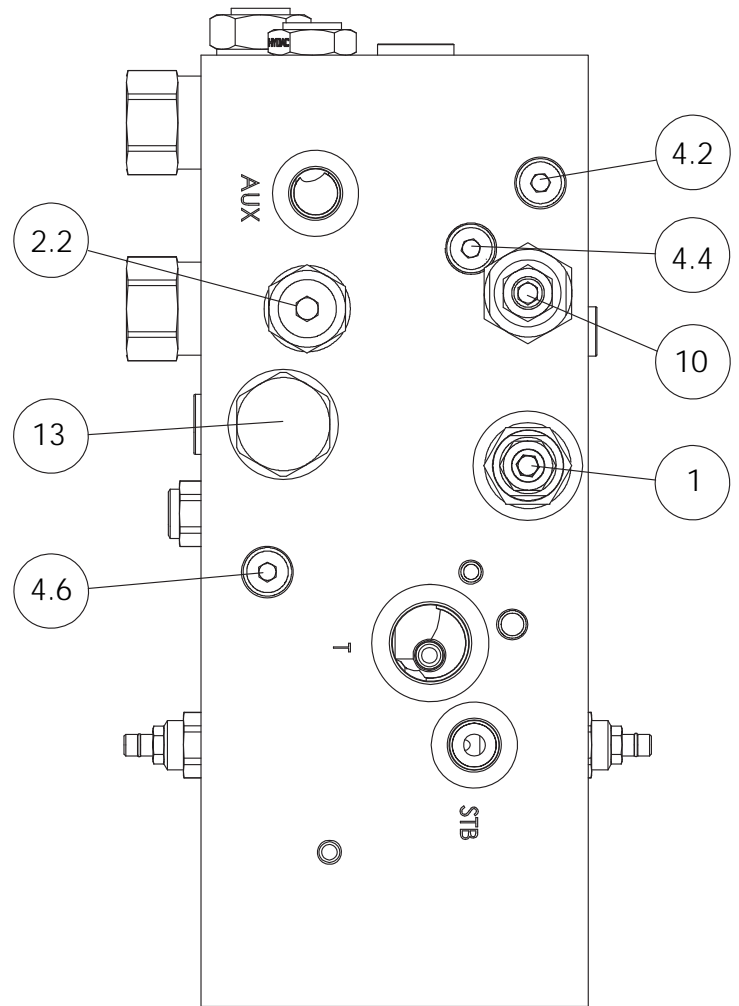
MEC
 ILLUSTRATION No.
 ART_5004

Primary Functions Manifold, Part 1

Outward Faces

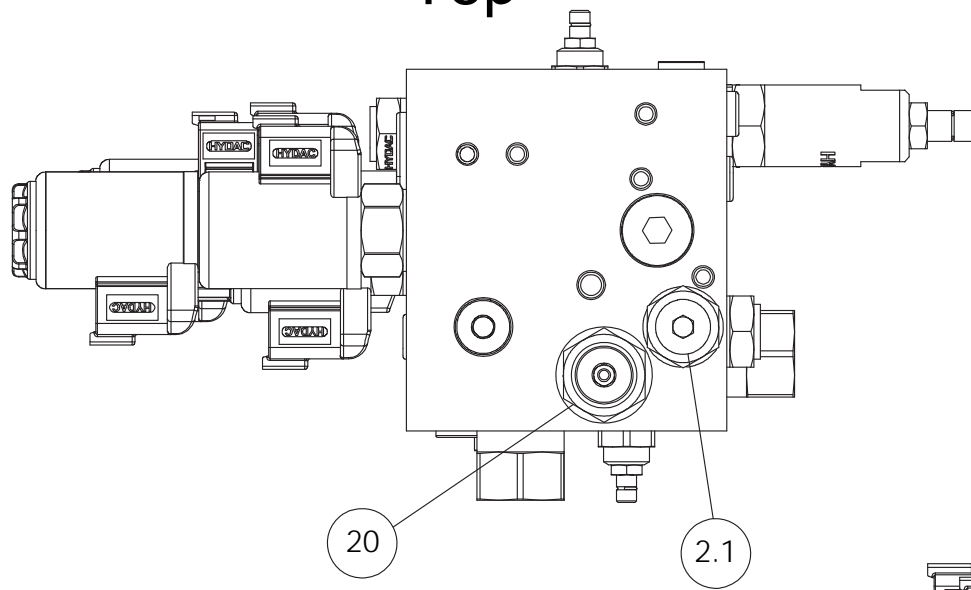


Rearward

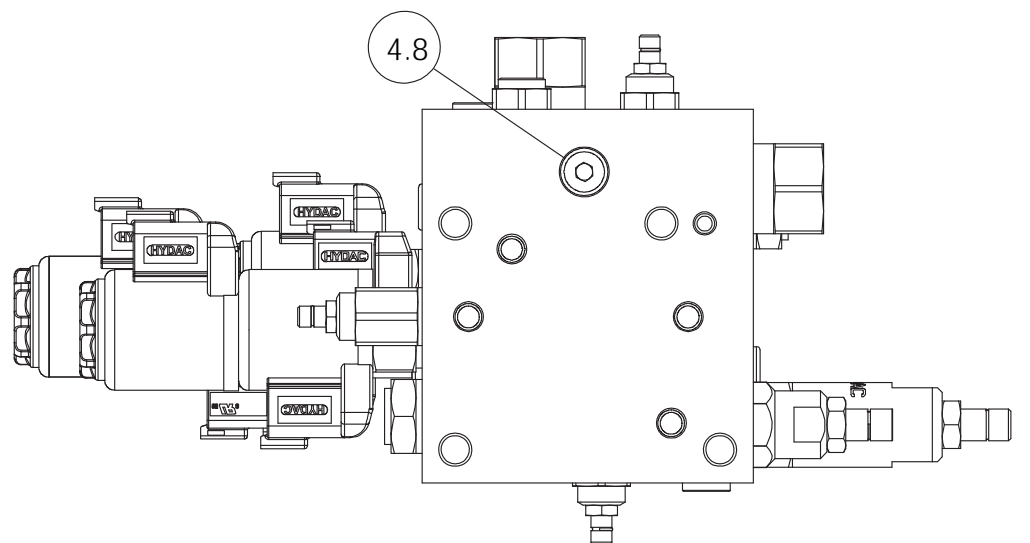


Forward

Top



Bottom

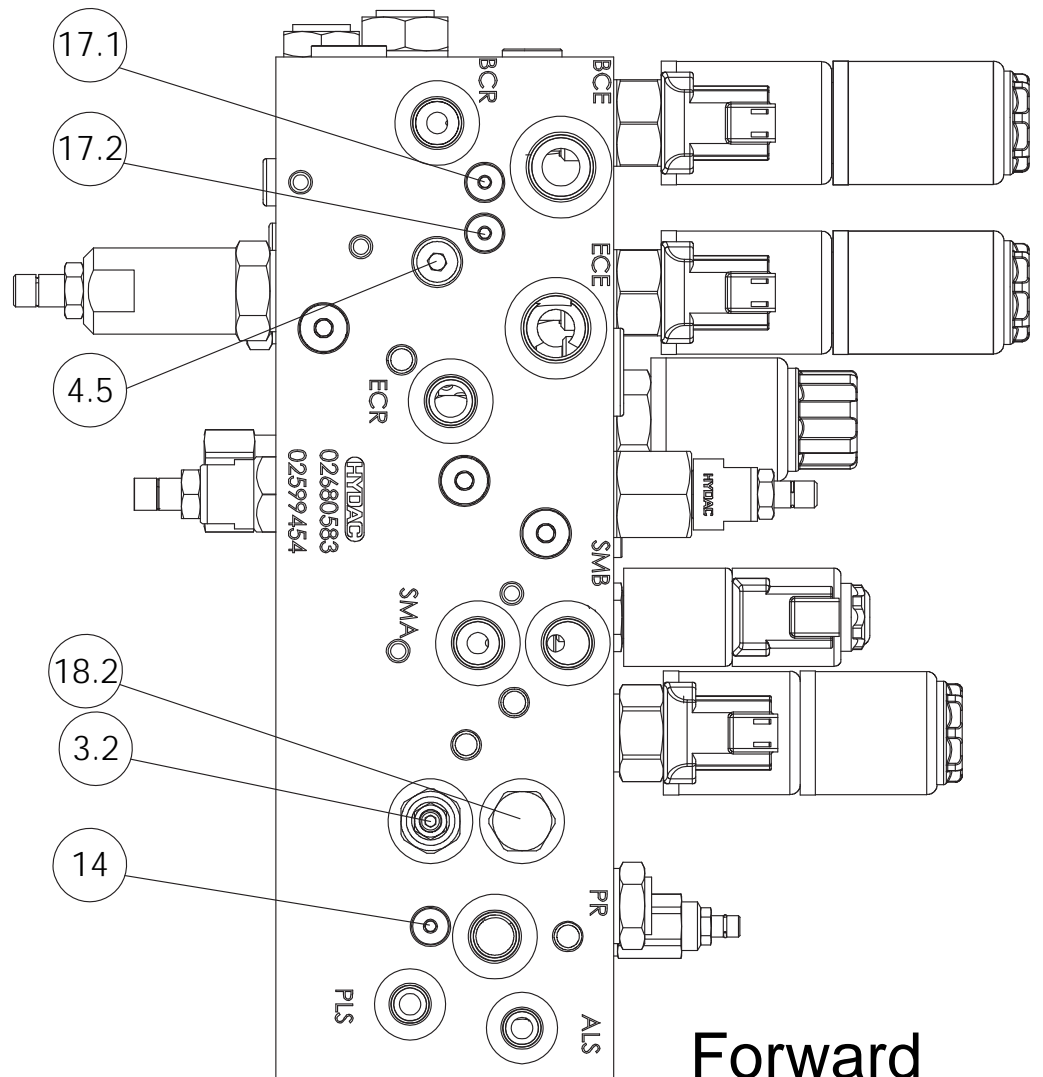
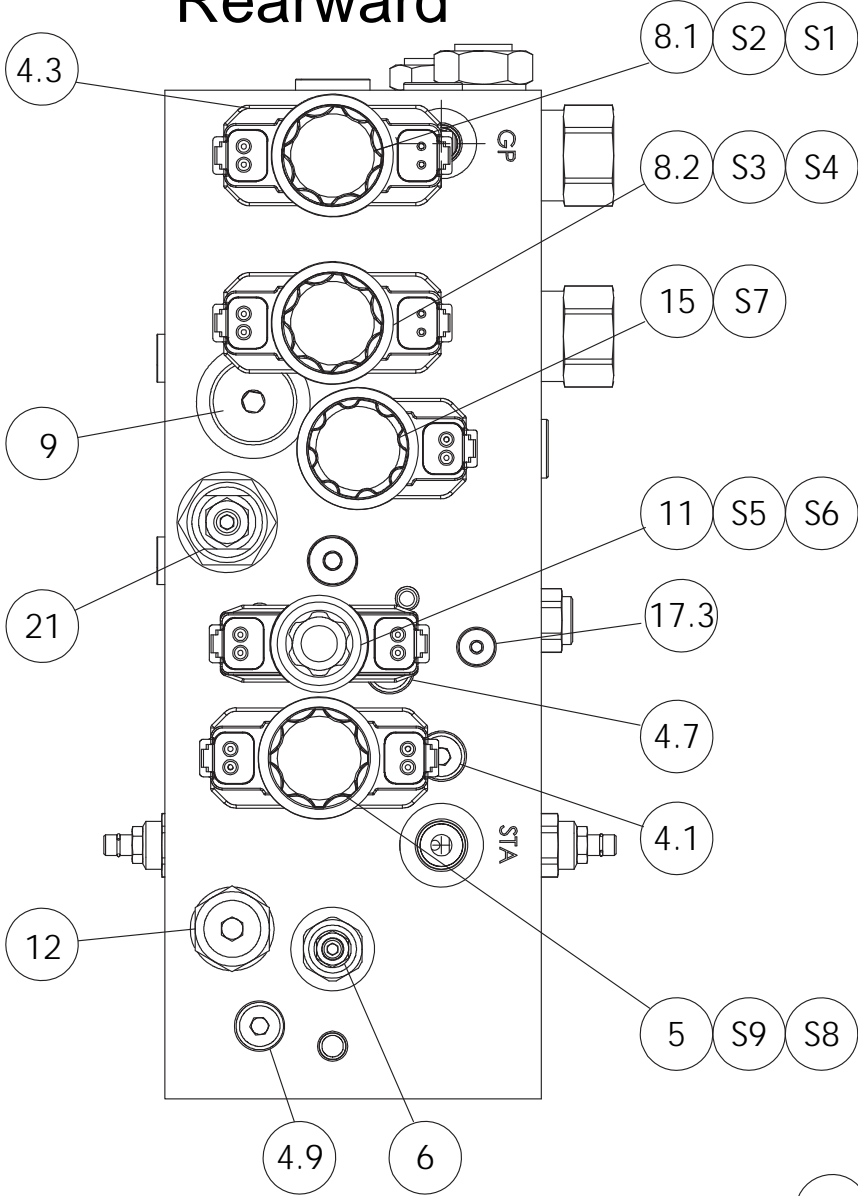


65-J Boom, Diesel
Functions Manifold Valves, 1 of 2
From Serial #14800000

Primary Functions Manifold, Part 2

Rearward

Inward Faces



1	PRIORITY VALVE, STEER
2.1	CHECK VALVE, AUX PUMP
3.1 - 3.2	CROSS PORT RELIEF VALVES, STEER
4.1 - 4.9	SHUTTLE VALVE, LOAD SENSE
5	VALVE, 3-POS, 4 WAY, STEER
6	RELIEF VALVE, MAIN
7.1	FLOW SHARE VALVE
7.2	FLOW SHARE VALVE
8.1	3-POS, 4 WAY VALVE, BOOM UP/DOWN
8.2	3-POS, 4 WAY VALVE, BOOM EXT/RET
9	SHUTTLE VALVE, EXTEND REGENERATE
10	RELIEF VALVE, BOOM EXTEND
11	VALVE, 3-POS, 4-WAY, SWING
12	CHECK VALVE, PLATFORM RETURN
13	FLOW COMPENSATOR VALVE
14	ORIFICE, 0.5MM, LOAD SENSE
15	DUMP VALVE, MAIN
16	FLOW SHARE VALVE
17.1 - 17.3	ORIFICE, 0.5MM FLOW SHARE (1/4-20 UNC)
18.1 - 18.2	CHECK VALVE, PILOT OPERATED, STEER
19	PILOT PISTON, STEER P/O CHECKS
20	CHECK VALVE, MAIN PUMP INLET
21	RELIEF VALVE, MAIN
S1 - S9	VALVE COILS 12 VOLT

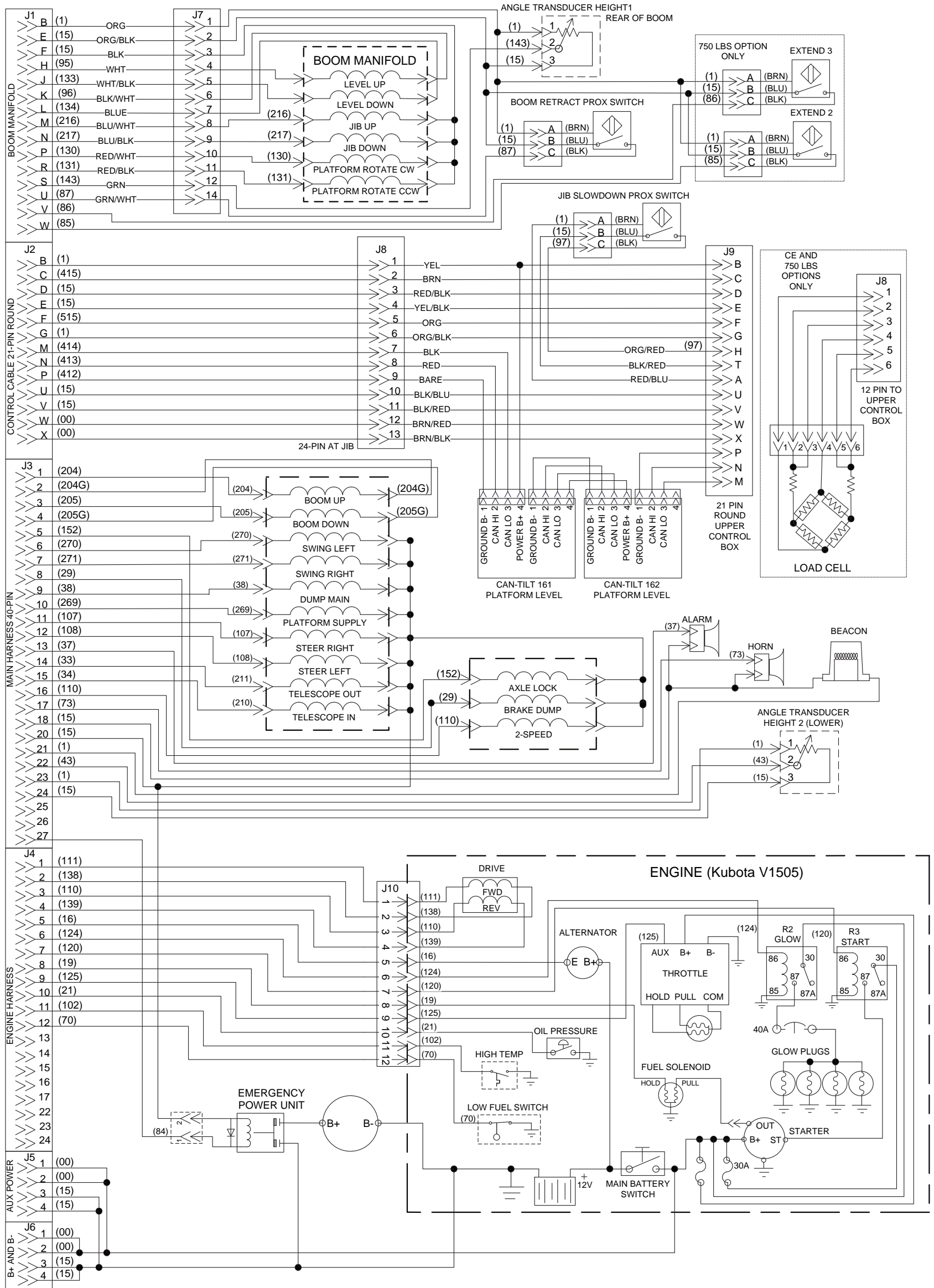
65-J Boom, Diesel
Functions Manifold Valves, 2 of 2
From Serial #14800000

Forward

Electric Schematic, Chassis, Standard Machines

MEC SCHEMATIC -- Lower Controls Publication Art #: ART_4918
 65-J Diesel - From Serial #1480000 Reference Art #: 28871

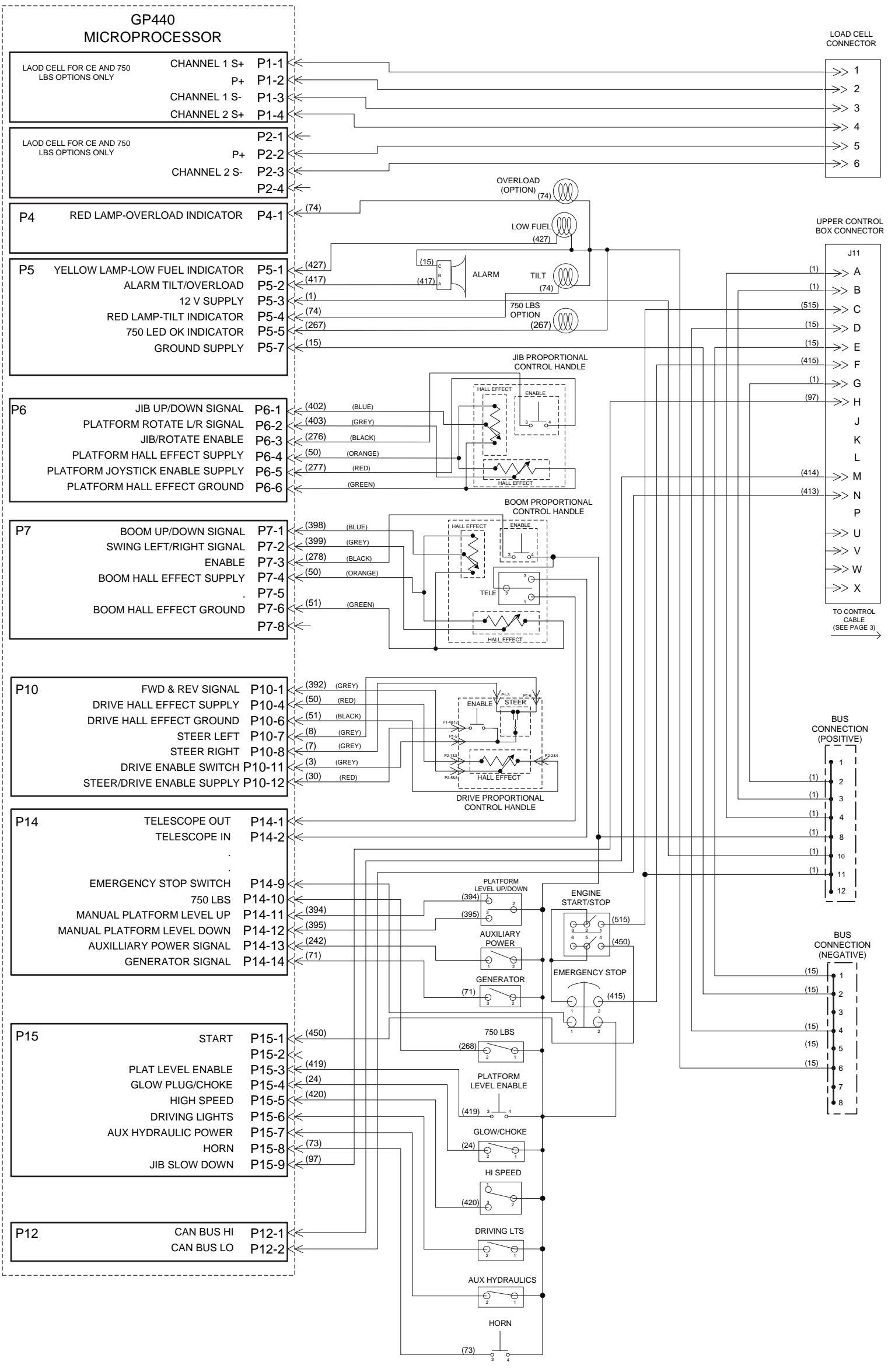
STANDARD MACHINES -- Chassis



Electric Schematic, Upper Controls Box, All Machines

MEC SCHEMATIC -- Lower Controls Publication Art #: ART_4921
 65-J Diesel - From Serial #1480000 Reference Art #: 28872

ALL MACHINES -- Upper Controls Box



LOAD CELL CONNECTOR

UPPER CONTROL BOX CONNECTOR

BUS CONNECTION (POSITIVE)

BUS CONNECTION (NEGATIVE)