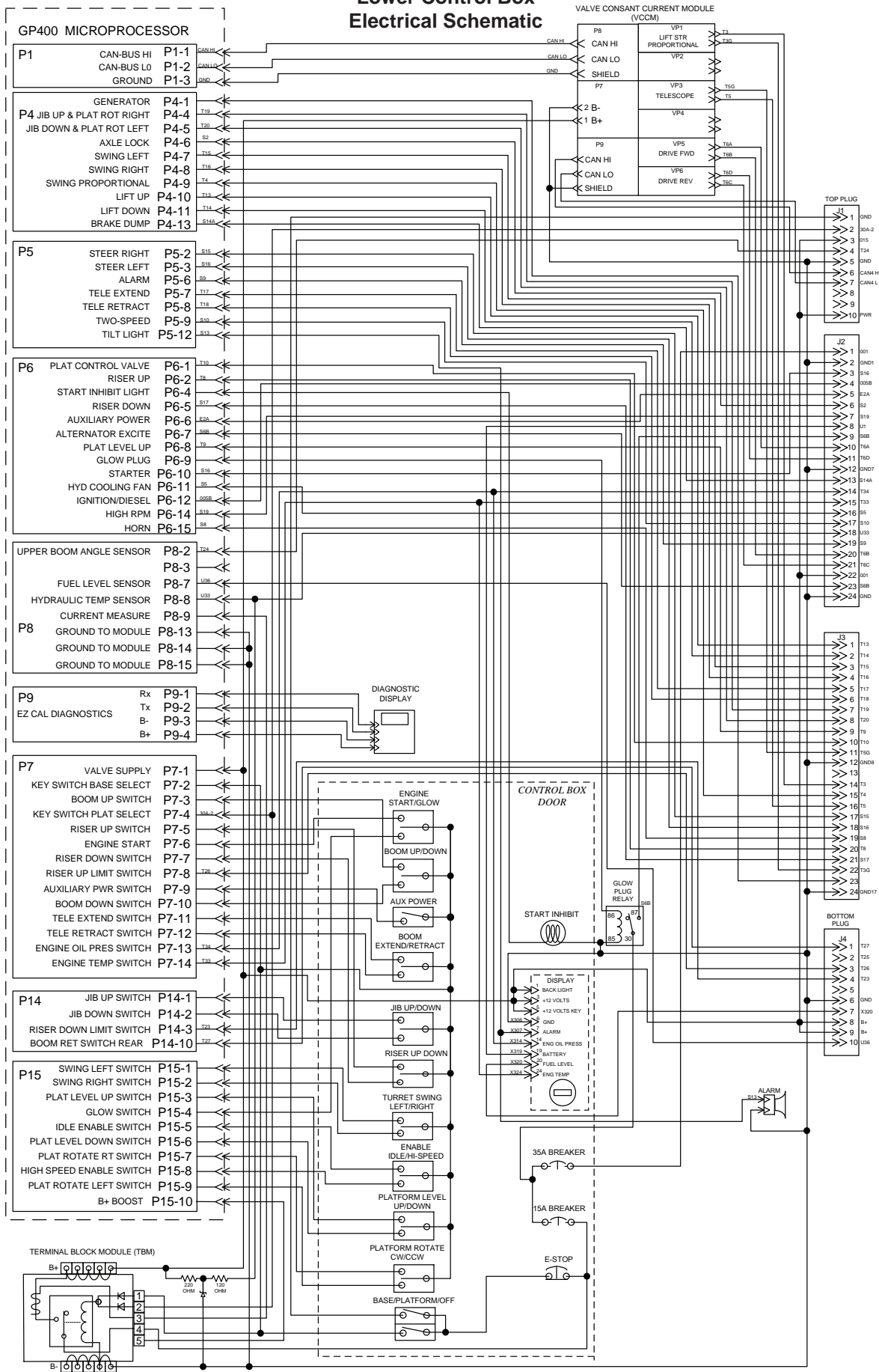
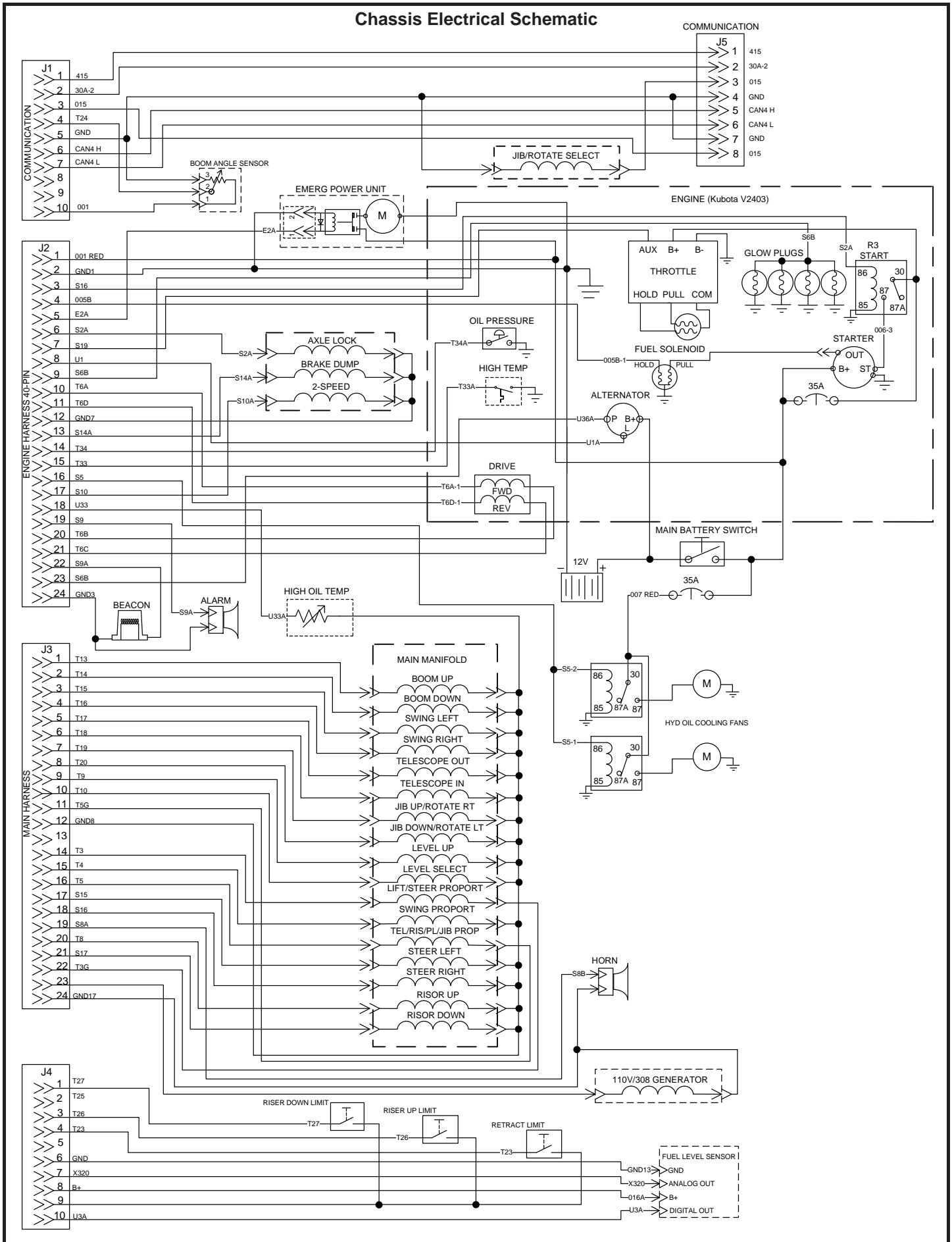
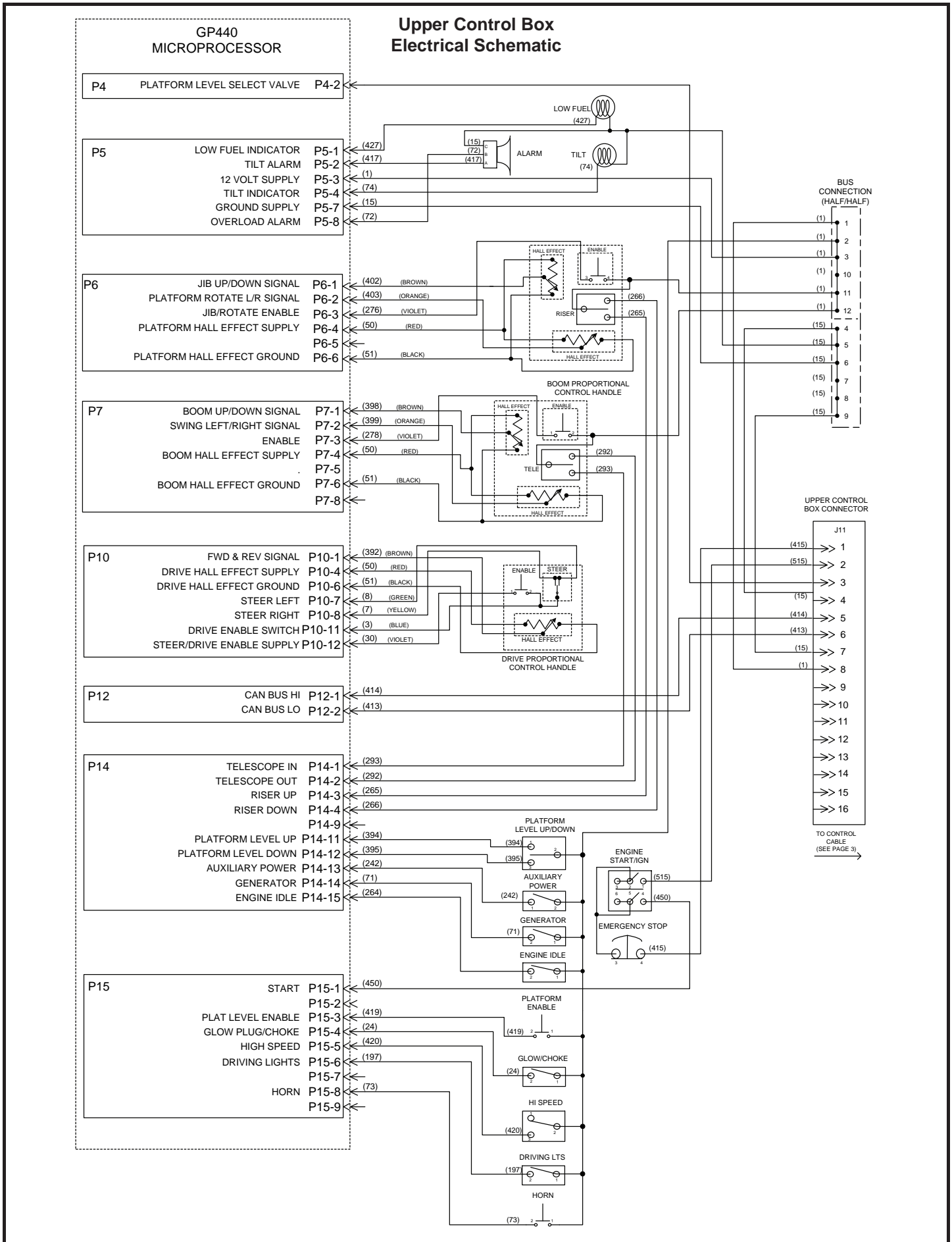


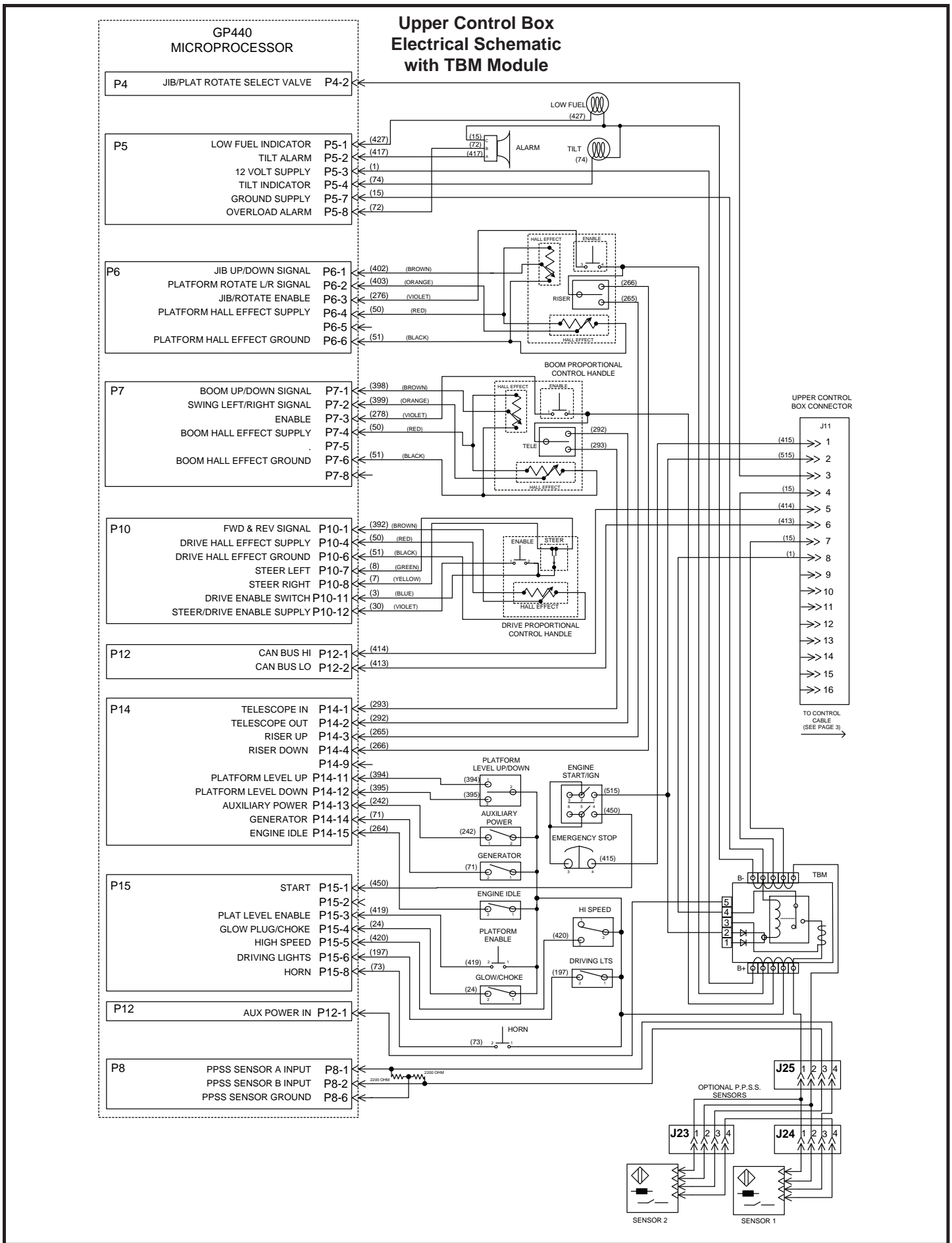
Lower Control Box Electrical Schematic

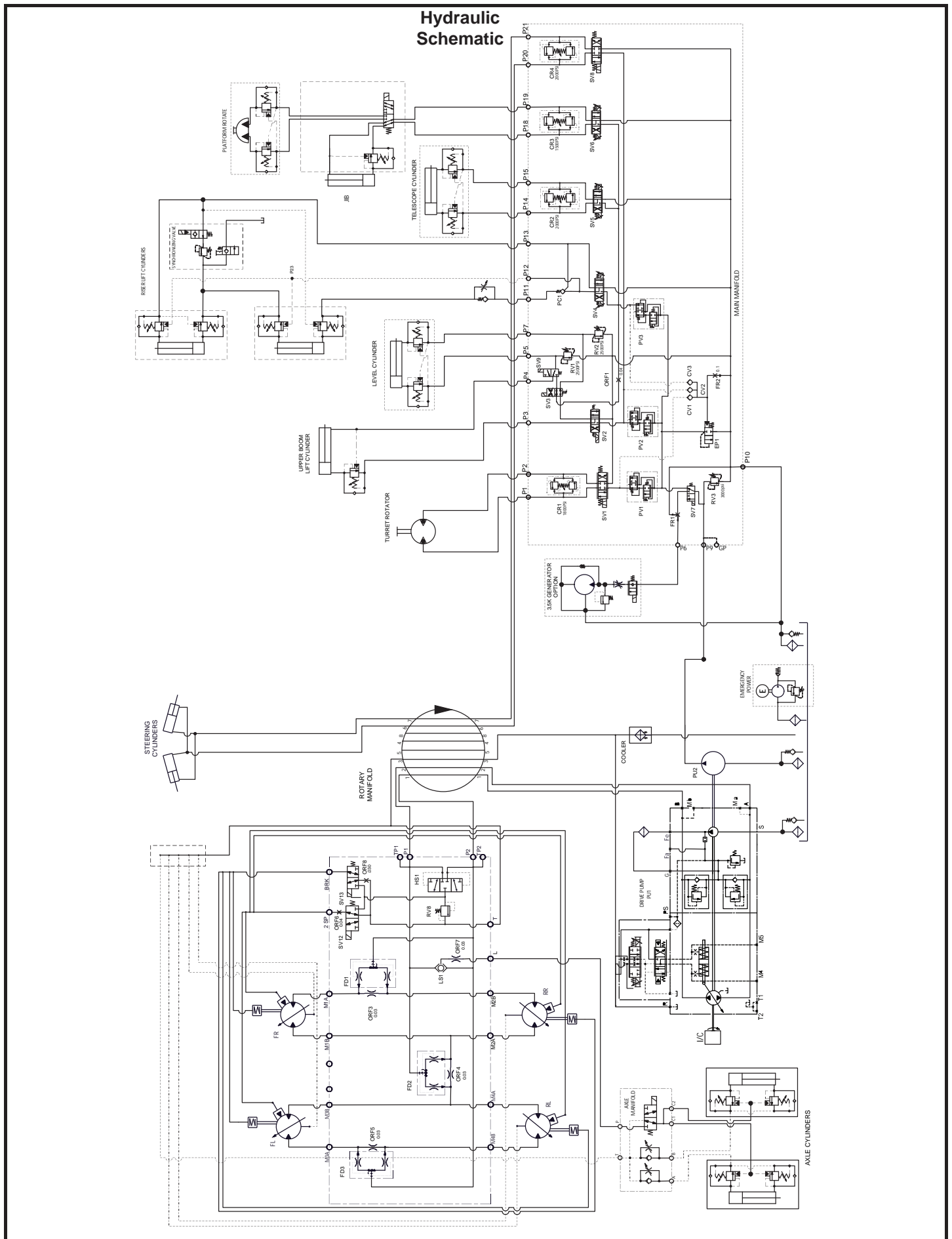


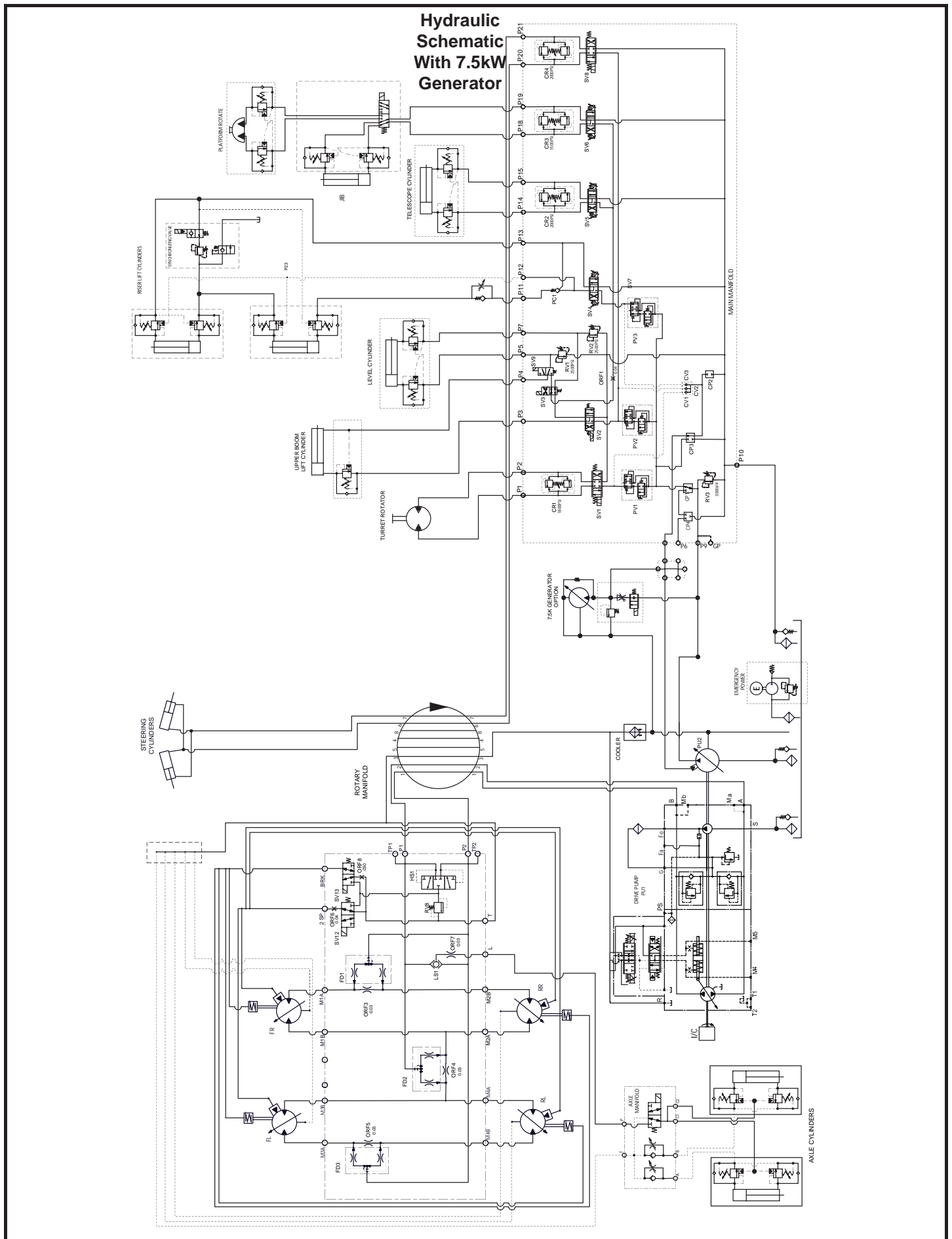
Chassis Electrical Schematic



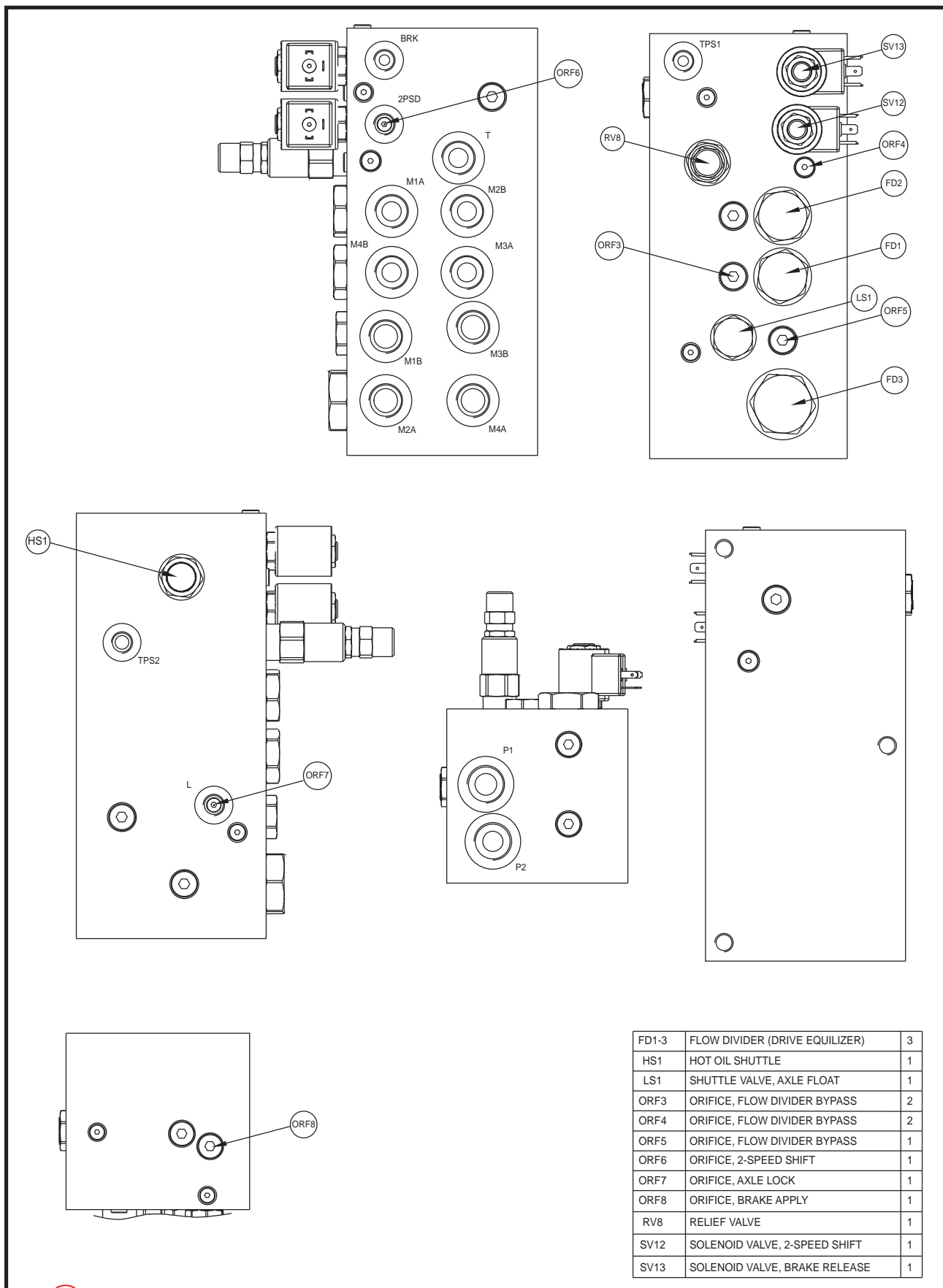








Drive Manifold Valves



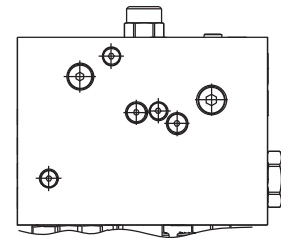
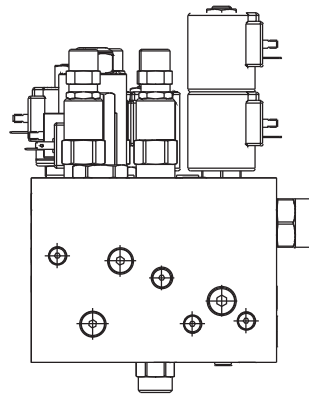
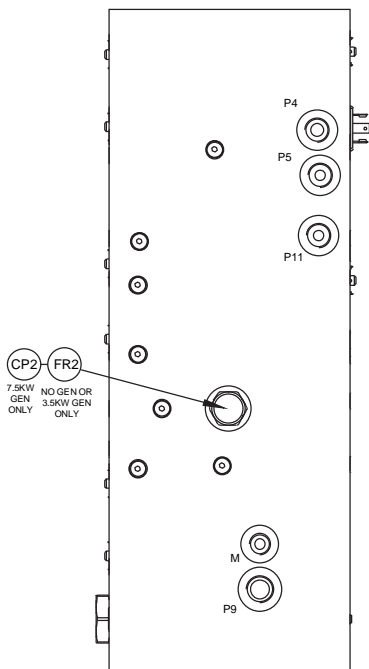
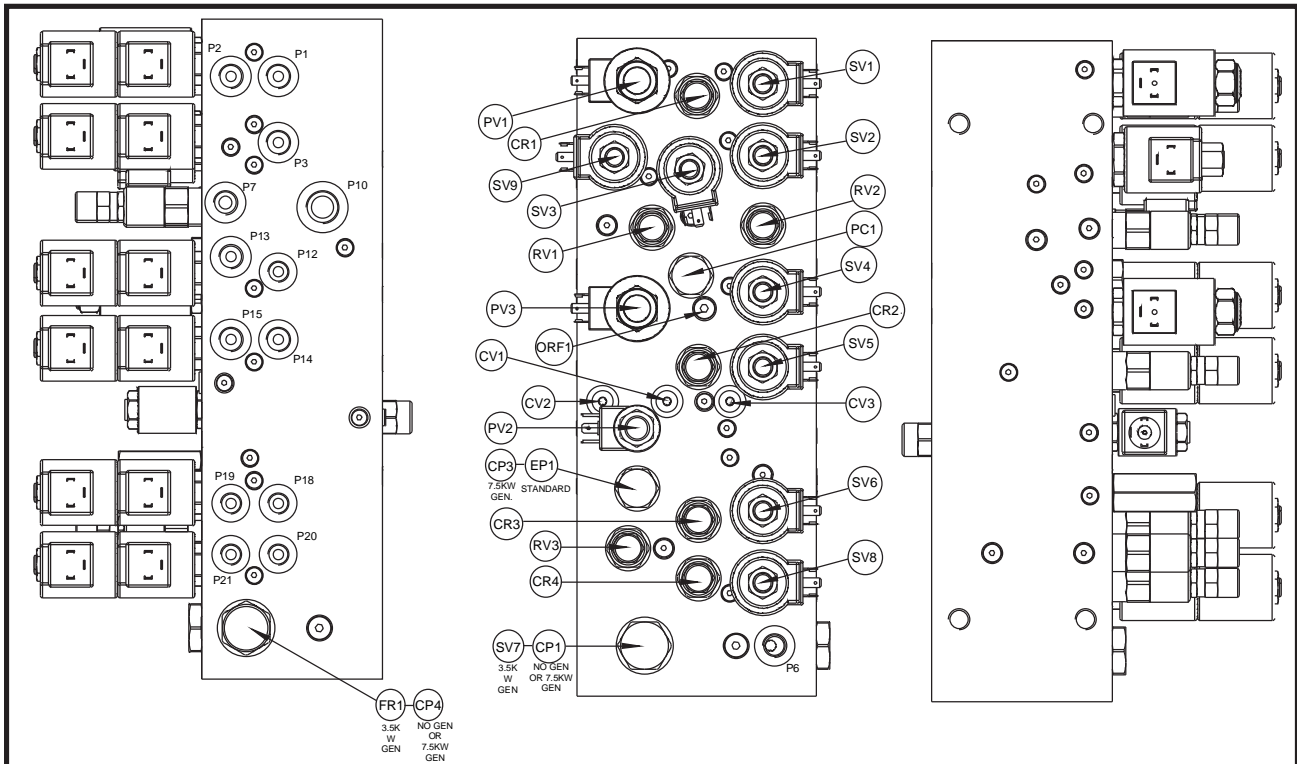
FD1-3	FLOW DIVIDER (DRIVE EQUILIZER)	3
HS1	HOT OIL SHUTTLE	1
LS1	SHUTTLE VALVE, AXLE FLOAT	1
ORF3	ORIFICE, FLOW DIVIDER BYPASS	2
ORF4	ORIFICE, FLOW DIVIDER BYPASS	2
ORF5	ORIFICE, FLOW DIVIDER BYPASS	1
ORF6	ORIFICE, 2-SPEED SHIFT	1
ORF7	ORIFICE, AXLE LOCK	1
ORF8	ORIFICE, BRAKE APPLY	1
RV8	RELIEF VALVE	1
SV12	SOLENOID VALVE, 2-SPEED SHIFT	1
SV13	SOLENOID VALVE, BRAKE RELEASE	1

ILLUSTRATION No. **45 - AJ**
 Art_5382

Drive Manifold Valves



Manifold Valves



CR1	CROSS PORT RELIEF, TURRET ROT.	1
CR2	CROSS PORT RELIEF EXT/RET	1
CR3	CROSS PORT RELIEF JIB/PLAT.	1
CR4	CROSS PORT RELIEF STEER.	1
CV1-3	CHECK VALVE, FLOW REG	3
EP1	FLOW COMPENSATOR	1
FR1	FLOW REGULATOR, 3.5KW GEN	1
FR2	FLOW REGULATOR, COMP.	1
ORF1	ORIFICE, PLAT LEVEL SPEED	1
PC1	PILOT OP. CHECK, RISER	1
PV1	PROP. VALVE, TUR ROTATE.	1
PV2	PROP. VALVE, UPPER BOOM.	1
PV3	PROP. VALVE, MULTI FUNCTION.	1
RV1	RELEIF, PLAT LEVEL	1
RV2	RELEIF, PLAT LEVEL	1
RV3	RELEIF, MAIN	1

SV1	DIRECTIONAL , TURRET ROTATE	1
SV2	DIRECTIONAL , BOOM UP/DOWN	1
SV3	SOL VALVE, PLAT LEVEL DIR.	1
SV4	DIRECTIONAL , RISER	1
SV5	DIRECTIONAL , BOOM EXT/RET	1
SV6	DIRECTIONAL , JIB/PLAT ROTATE	1
SV7	DIRECTIONAL , 3.5KW GENERATOR	1
SV8	DIRECTIONAL , STEER	1
SV9	SOL. VALVE, PLATFORM LEVEL	1
CP1	CAVITY PLUG, FOR 7.5KW GEN.	1
CP2	CAVITY PLUG, FOR 7.5KW GEN.	1
CP3	CAVITY PLUG, FOR 7.5KW GEN.	1
CP4	CAVITY PLUG, FOR 7.5KW GEN.	1

NOTE: CP1 AND CP4 ARE USED ON UNITS WITHOUT GENERATOR AND UNITS EQUIPPED WITH 7.5KW GENERATOR ONLY
 NOTE: CP2 AND CP3 ARE USED ON UNITS EQUIPPED WITH 7.5KW GENERATOR ONLY

