

ELECTRICAL WIRING DIAGRAM

016DC 12 VOLT

024DC 12 VOLT

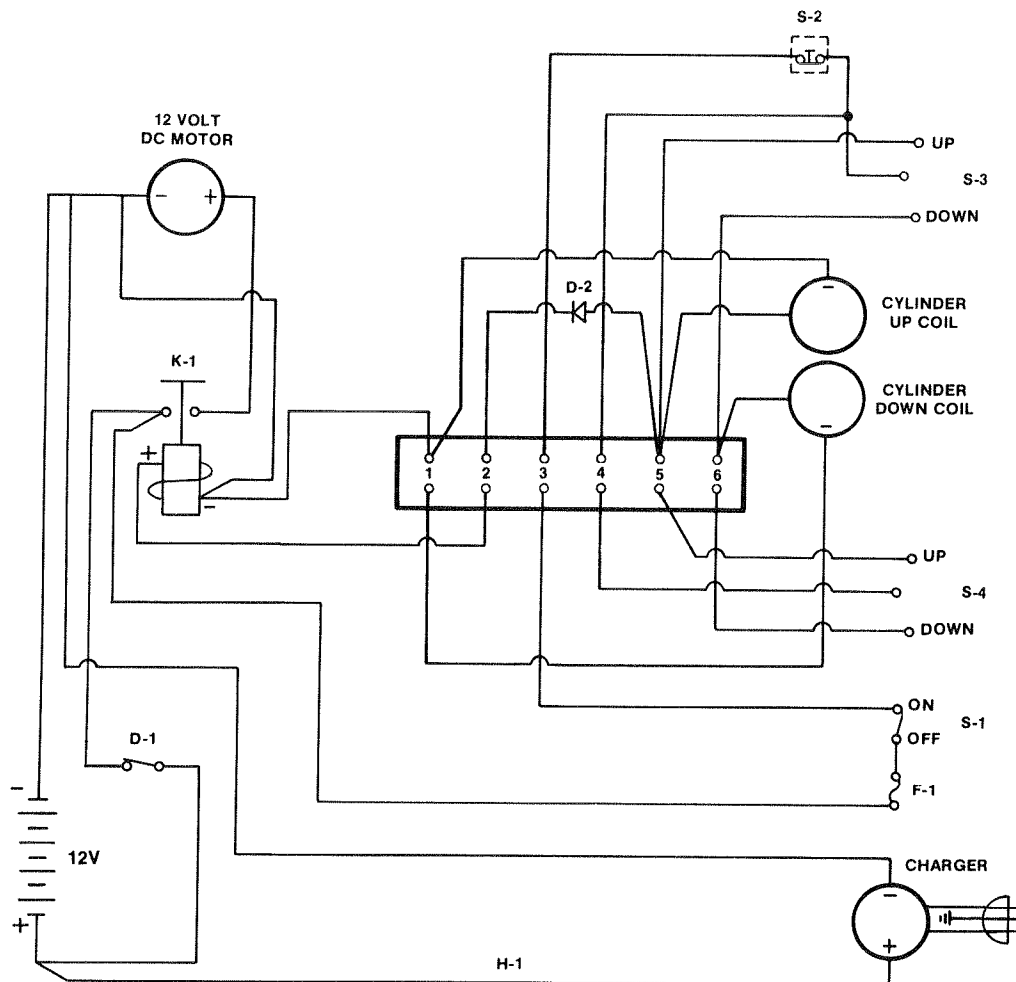


Figure 9.

Symbol Identification for Figure 9.

Symbol	Description	Part No.
F-1	Fuse	6190
D-1	Battery Disconnect	6468
D-2	Diode Assembly	6536
H-1	Wiring Harness	6494
K-1	Start Solenoid	6411
S-1	Key Switch	5936
S-2	Emergency Stop	5681
S-3	Platform Control	5230
S-4	Lower Control Switch	5230
	Charger	6382
	Battery	6390
	12 Volt DC Motor	6387
	Coils	6415

ELECTRICAL WIRING DIAGRAM

016AC

024AC

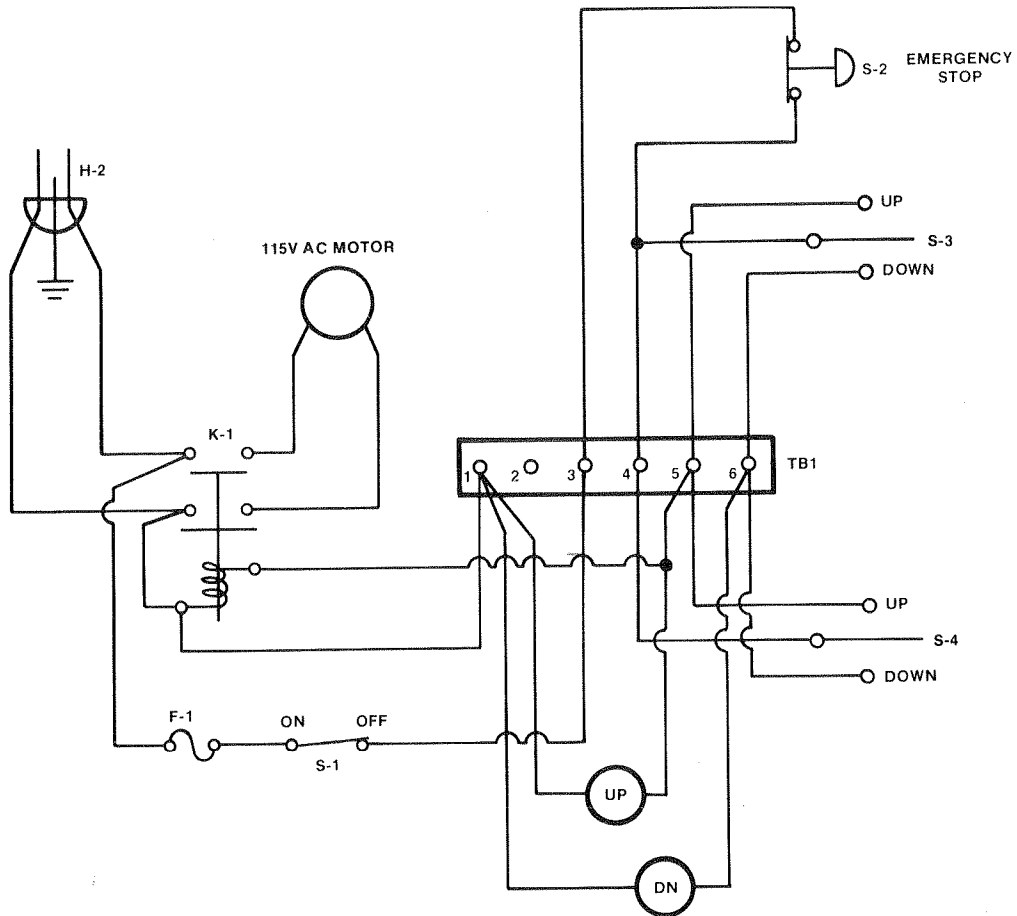


Figure 10.

Symbol Identification for Figure 10.

Symbol	Description	Part No.
F-1	Fuse	6190
H-1	Wire Harness	6508
H-2	AC Cord	6454
K-1	Relay	5397
S-1	Key Switch	5936
S-2	Emergency Stop	5681
S-3	Platform Control	5230
S-4	Lower Control Switch	5230
TB-1	Terminal Board	6470
	Coils	6528
	AC Motor	6401

HYDRAULIC SCHEMATIC MANIFOLD BLOCK (ALL MODELS)

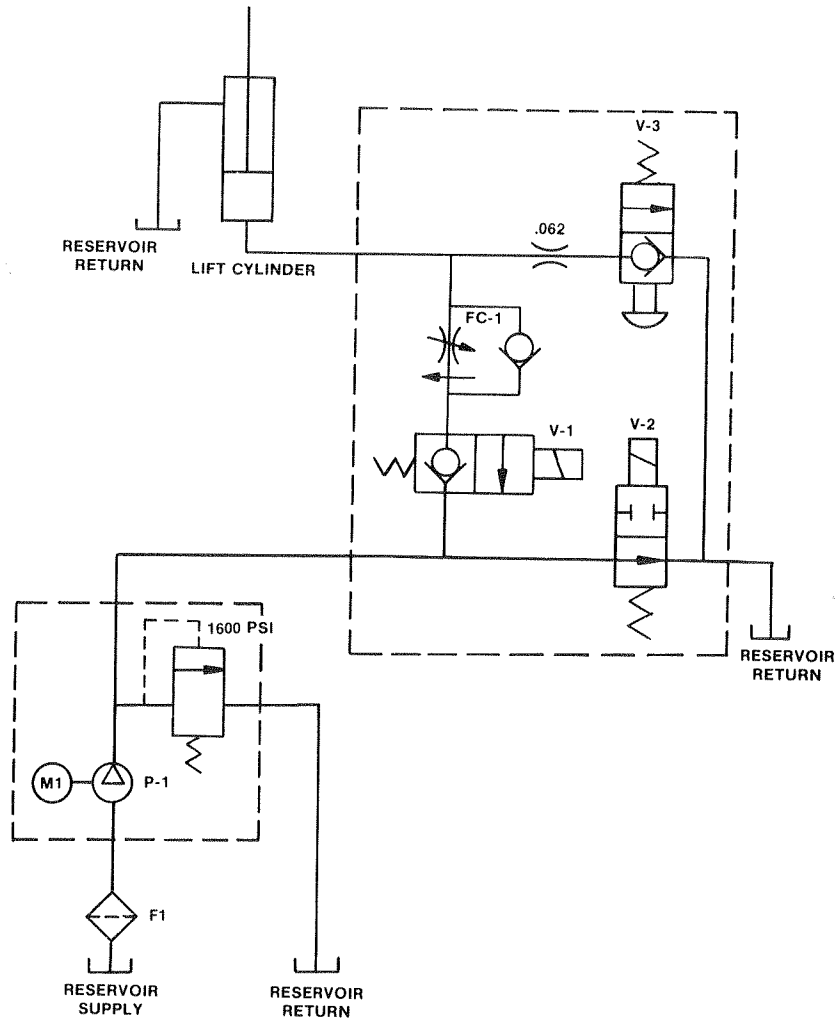


Figure 11.

Symbol Identification for Figure 11.

Symbol	Description	Part Number	
		DC	AC
F-1	Tank Filter	6377	6377
FC-1	Flow Control "O" Ring Kit	5963	5963
		5475	5475
M-1	Motor	6387	6401
P-1	Pump	6383	6402
V-1	2-Way N.C. Valve "O" Ring Kit Valve Only Coil Only	6453	6506
		5475	5475
		5964X	5964X
		6415	6528
V-2	2-Way N.O. Valve "O" Ring Kit Valve Only Coil Only	6452	6505
		5475	5475
		5962X	5962X
		6415	6528
V-3	Manual Pull - Emergency Down "O" Ring Kit	5435	5435
		5475	5475

HYDRAULIC MANIFOLD

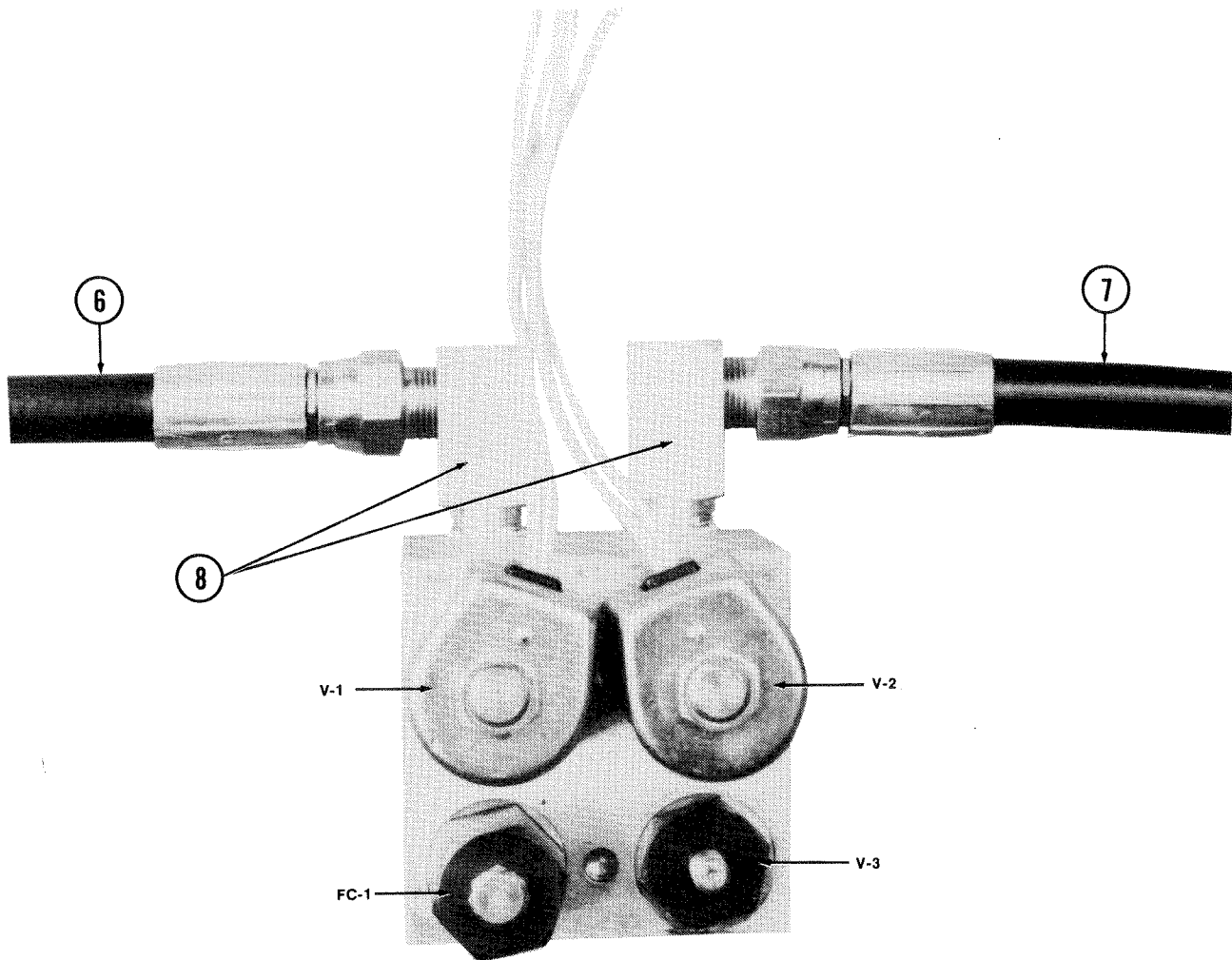


Figure 12.

Symbol Identification for Figure 12.

Symbol	Description	Part Number	
		AC	DC
V-1	2-Way Valve (N.C.)	6506	6453
V-2	2-Way Valve (N.O.)	6505	6452
V-3	Manual Pull Valve	5435	5435
FC-1	Flow Control Valve	5963	5963
	Coils Only	6528	6415
6	Hose - Tank to Manifold	6430	6430
7	Hose - Pump to Manifold	6429	6429
8	Fitting Elbow	6360	6360