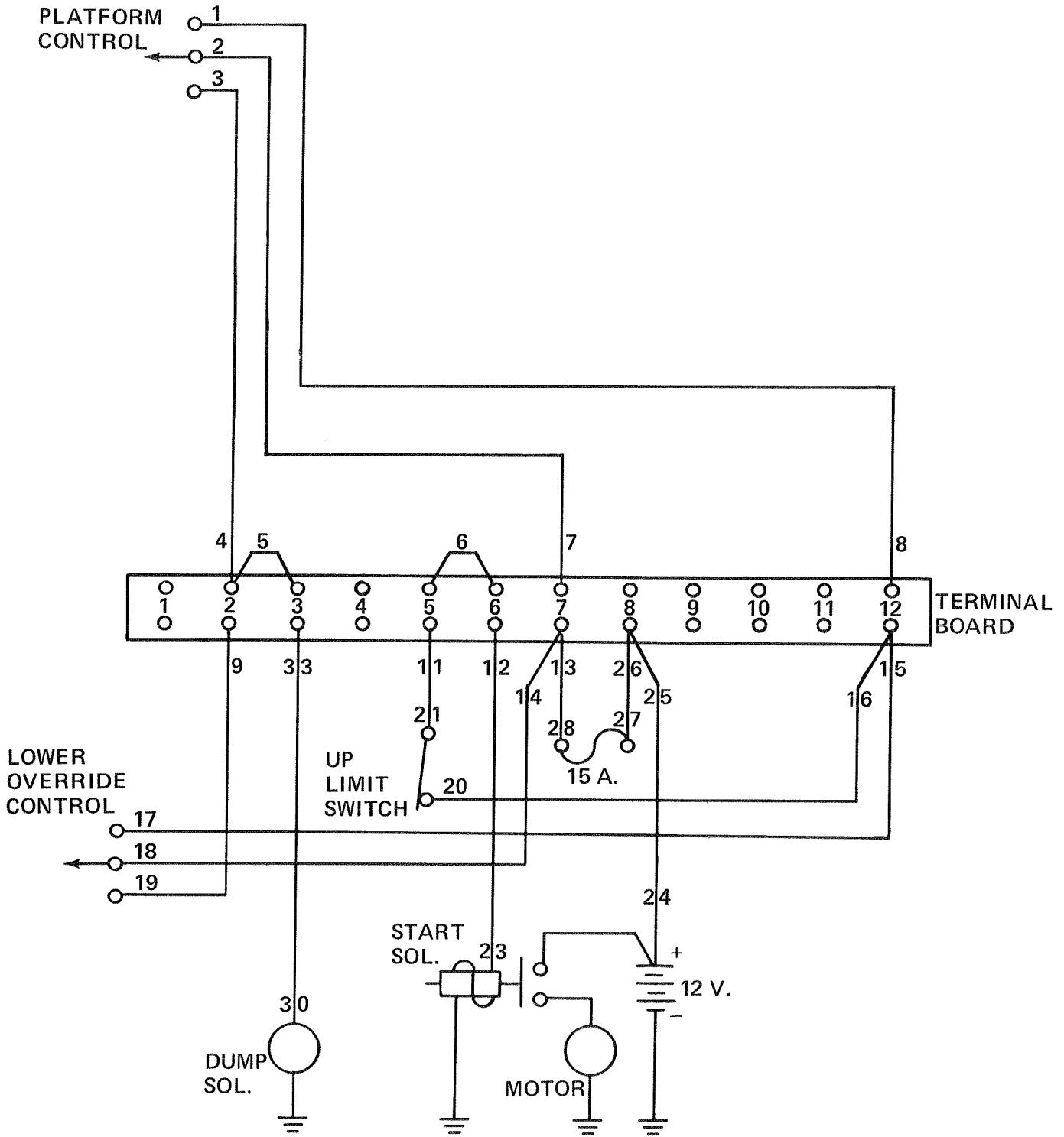
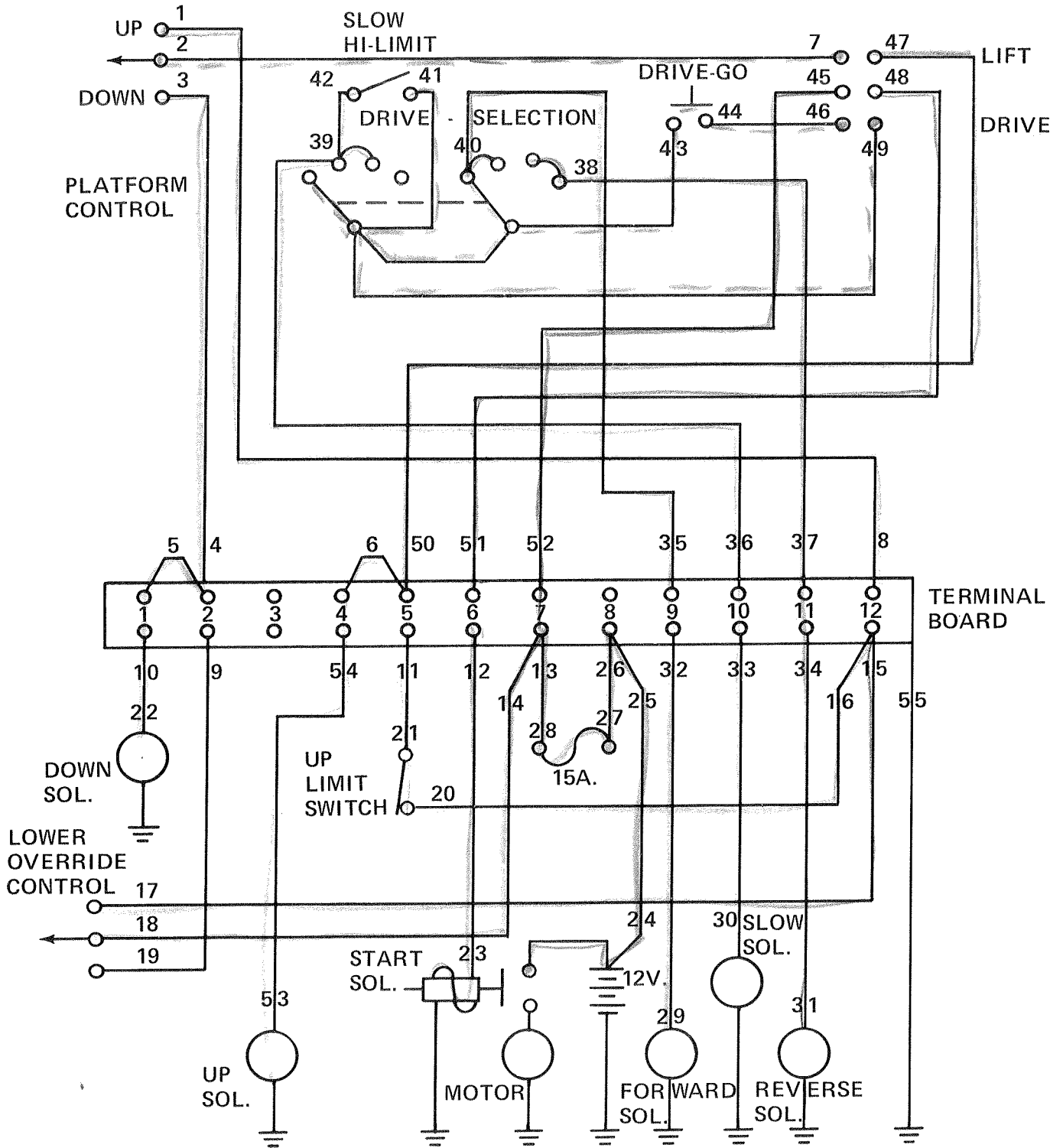


HEFF-T-HERMAN MODEL 116/125BM

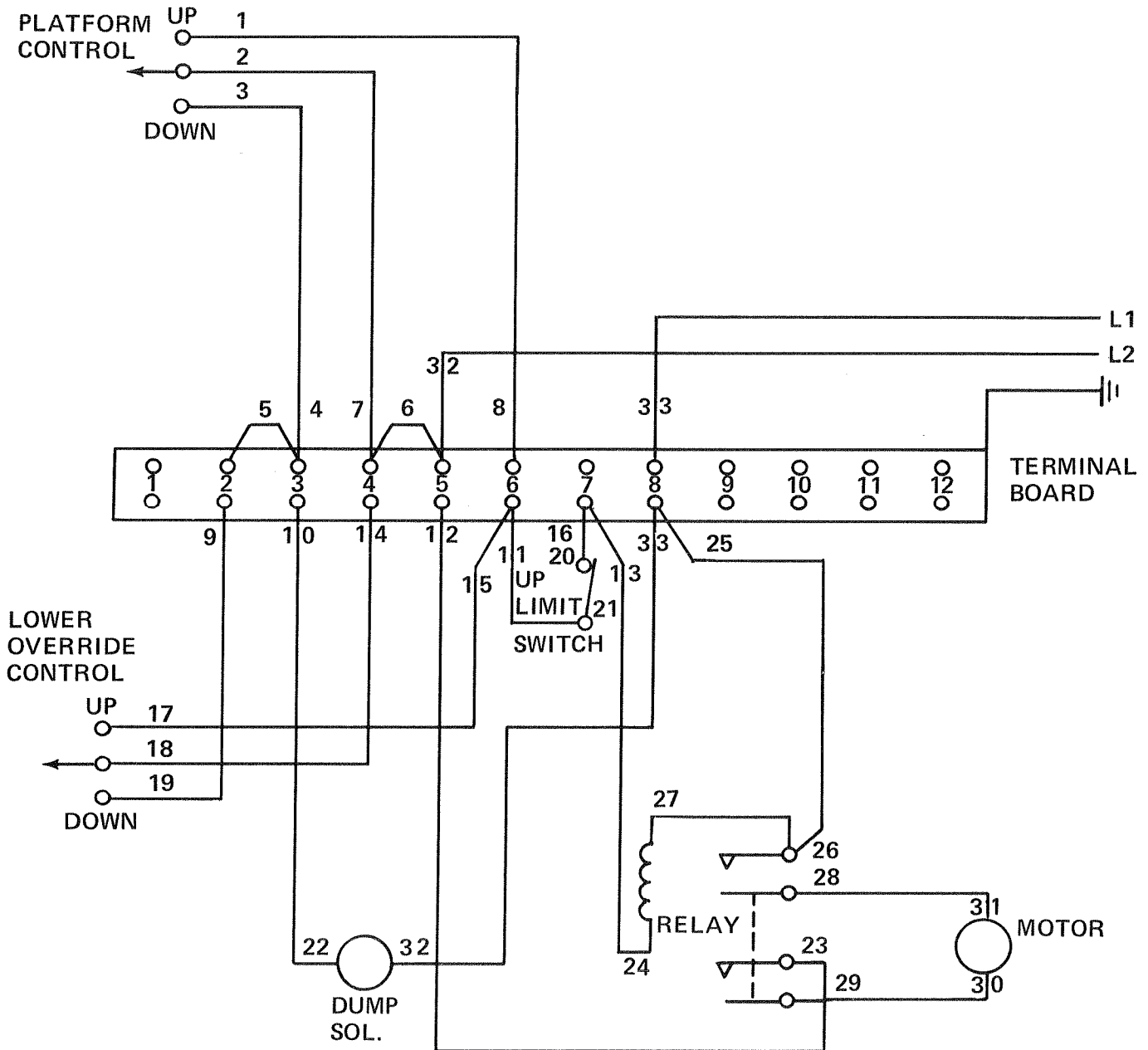


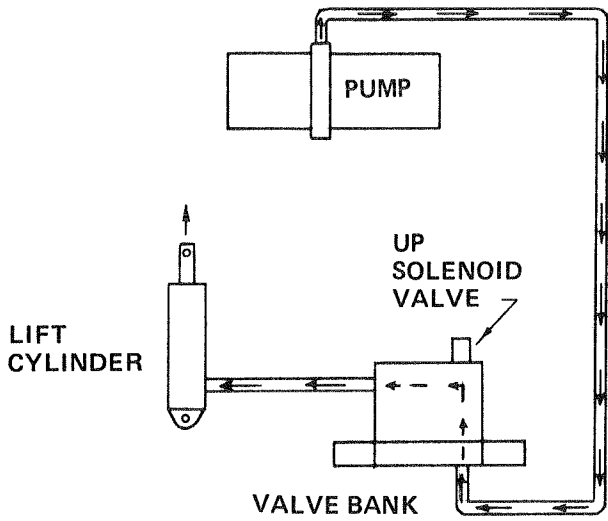
HEFF-T-HERMAN MODEL 116/125BSP



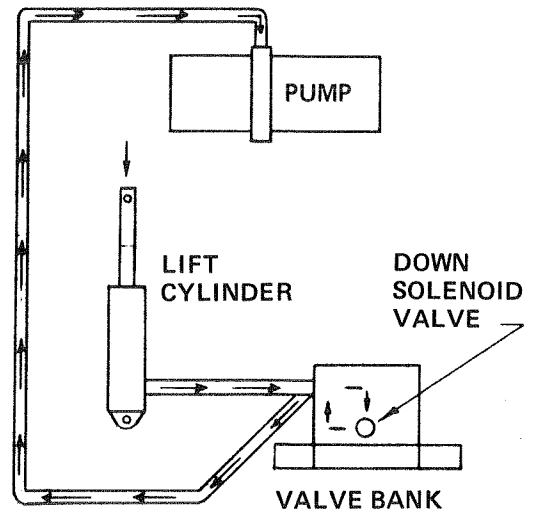
Primary circuits (not)
 Intermediate circuits ---
 Secondary circuits ---

HEFF-T-HERMAN MODEL 116 & 125 EM

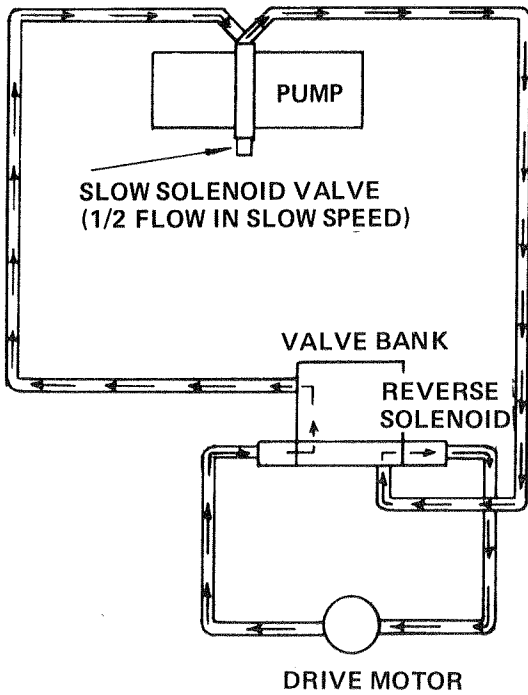




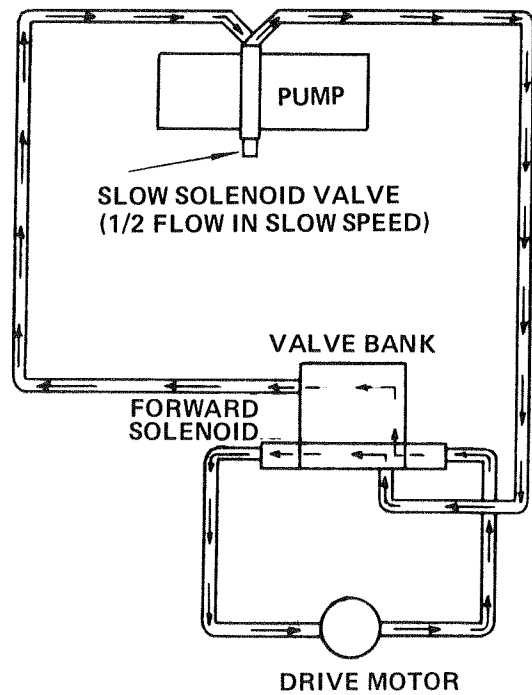
UP MODE



DOWN MODE



REVERSE MODE



REVERSE MODE