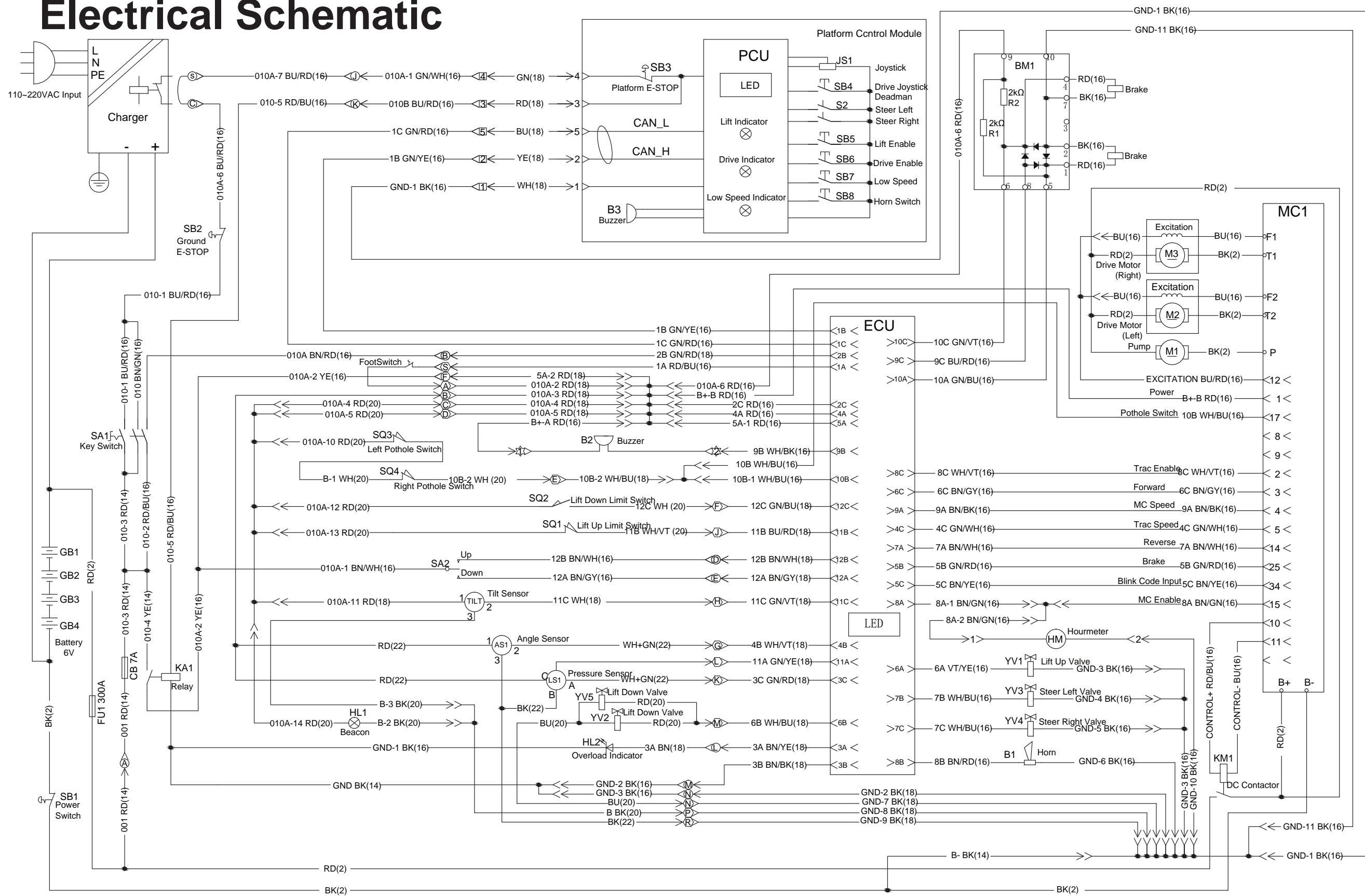


Electrical Schematic



◁▷ = 16 Position DELPHI Connector LOC2 ◁▷ = 2 Position AMP Connector LOC4
 ◁▷ = 16 Position DELPHI Connector LOC3 ◁▷ = 5 Position SIBAS Connector LOC7

Electrical Connection Diagram

ECU Pin											
NO.	ID.	Color	Place	NO.	ID.	Color	Place	NO.	ID.	Color	Place
1A	/	/	/	1B	1B	GN/YE	CAN_H	1C	1C	GN/RD	CAN_L
2A	/	/	/	2B	2B	GN/RD	Key Switch	2C	2C	RD	Power
3A	3A	BN/YE	Overload Indicator	3B	3B	BN/BK	Ground	3C	3C	GN/RD	Pressure Sensor
4A	4A	RD	Power	4B	4B	WH/VT	Angle Sensor	4C	4C	GN/WH	Drive Controller
5A	5A-1	RD	Power	5B	5B	GN/RD	Drive Controller	5C	5C	GN/YE	Drive Controller
6A	6A	VT/YE	Lift Up Valve	6B	6B	WH/BU	Lift Down Valve	6C	6C	GN/GY	Drive Controller
7A	7A	BN/WH	Reverse Valve	7B	7B	WH/BU	Steer Left Valve	7C	7C	WH/BU	Steer Right Valve
8A	8A-1	BN/GN	Hourmeter, Drive Controller	8B	8B	BN/RD	Horn	8C	8C	WH/VT	Drive Controller
9A	9A	BN/BK	Drive Controller	9B	9B	WH/BK	Buzzer	9C	9C	BU/RD	Brake Module
10A	10A	GN/BU	Brake Module	10B	10B-1	WH/BU	Pothole Switch Drive Controller	10C	10C	GN/VT	Brake Module
11A	/	/	Delphi to Pressure Sensor	11B	11B	BU/RD	Lift Up Limit Switch	11C	11C	GN/VT	Tilt Sensor
12A	12A	BN/GY	Down	12B	12B	BN/WH	Up	12C	12C	GN/BU	Lift Down Limit Switch

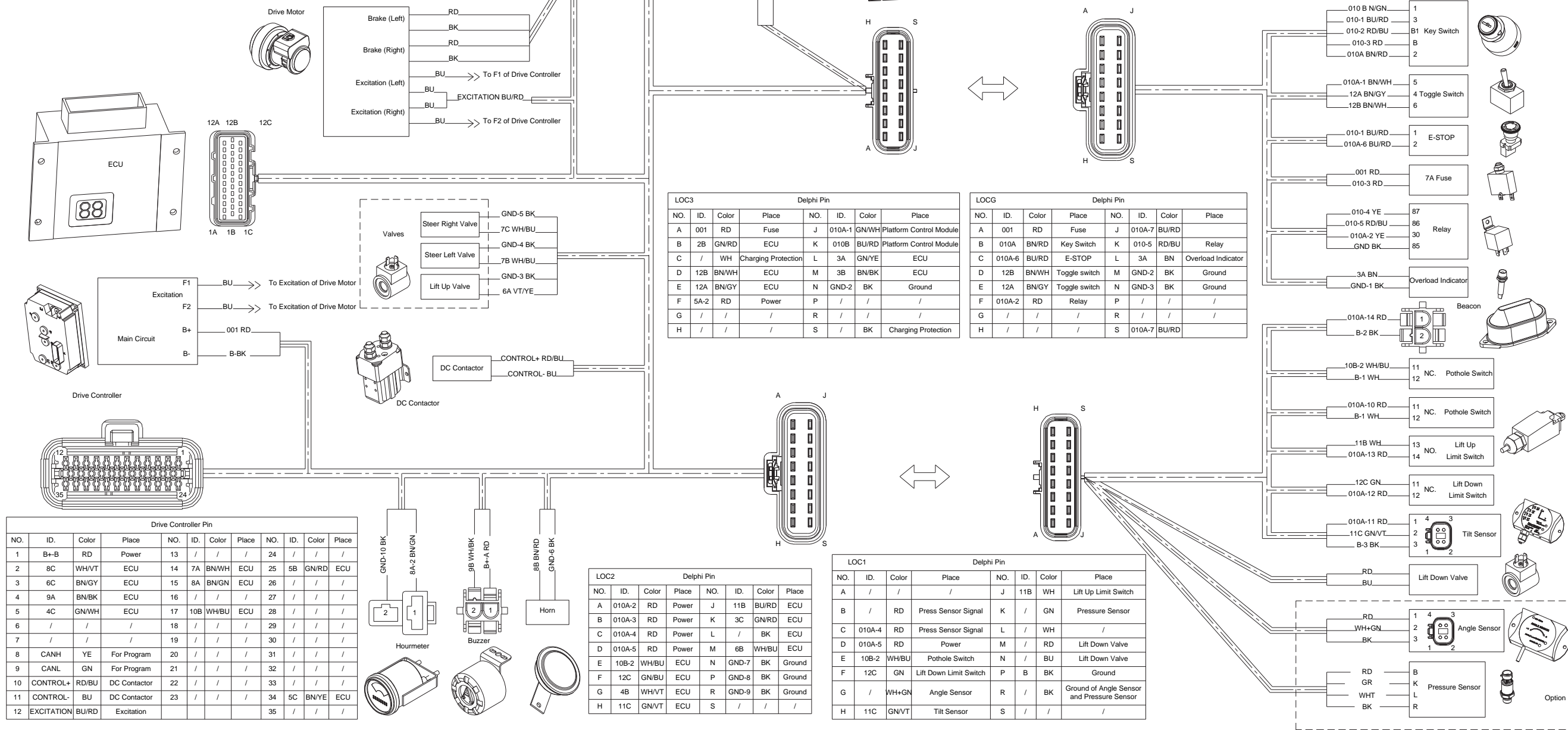
Brake Module Pin							
NO.	ID.	Color	Place	NO.	ID.	Color	Place
1	/	RD	Brake(Left)	6	10C	GN/VT	ECU
2	/	BK	Brake(Left)	7	/	BK	Brake(Right)
3	/	/	/	8	9C	BU/RD	ECU
4	/	RD	Brake(Right)	9	010A-6	RD	Power
5	10A	GN/BU	ECU	10	GND-11	BK	Ground

LOC7 SIBAS Pin			
NO.	ID.	Color	Place
1	GND-1	BK	Ground
2	1B	GN/YE	ECU
3	010B	BU/RD	LOC3-K
4	010A-1	GN/WH	LOC3-J
5	1C	GN/RD	ECU

SIBAS Pin	
NO.	Color
1	WH
2	YE
3	RD
4	GN
5	BU

SIBAS Pin	
NO.	Color
1	WH
2	YE
3	RD
4	GN
5	BU

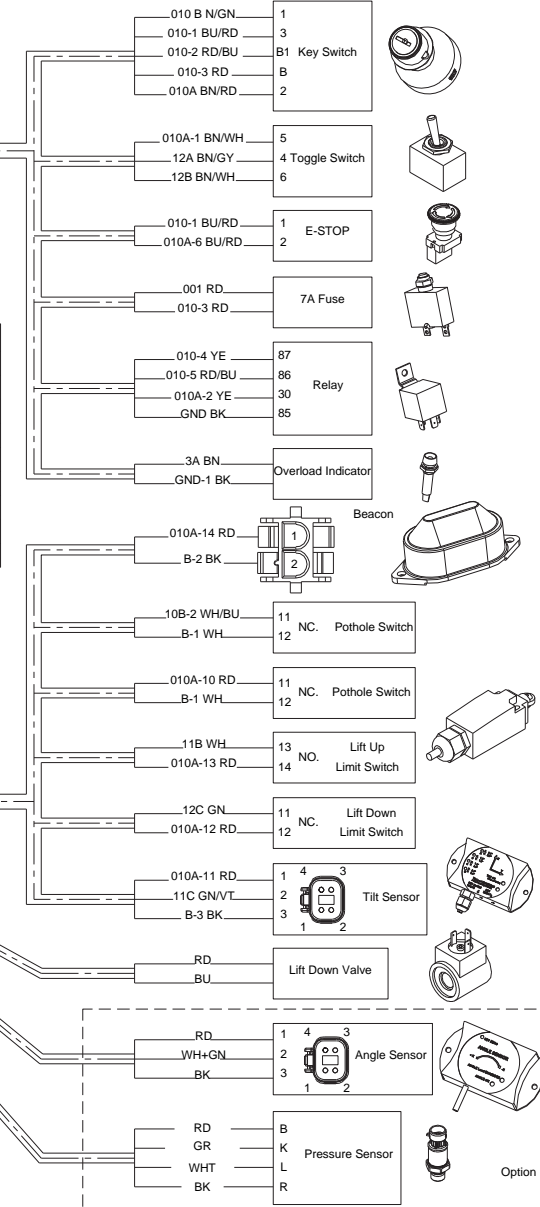
SIBAS Pin	
NO.	Color
1	WH
2	BU
3	RD
4	BK
5	OG

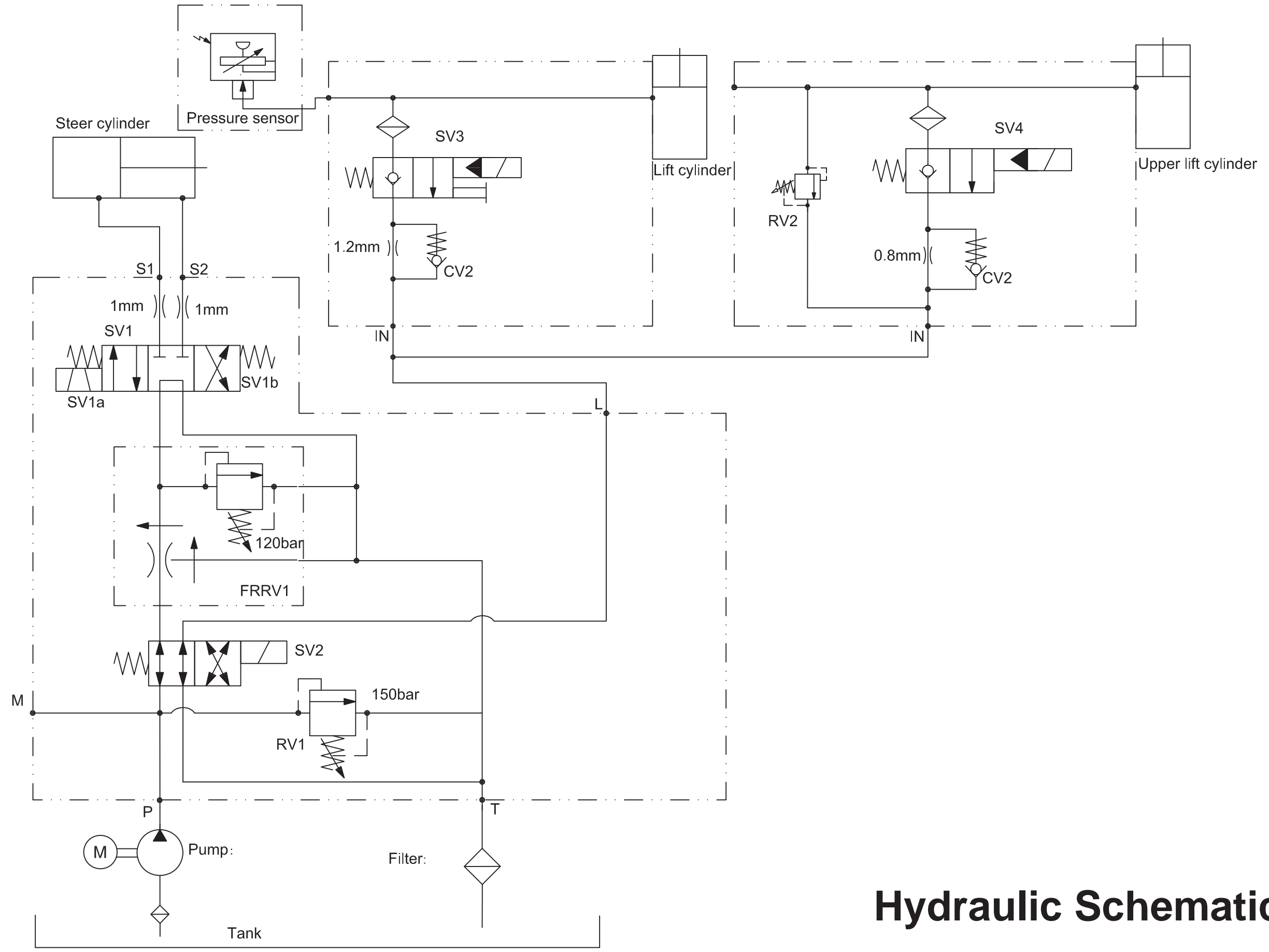


Drive Controller Pin											
NO.	ID.	Color	Place	NO.	ID.	Color	Place	NO.	ID.	Color	Place
1	B+B	RD	Power	13	/	/	/	24	/	/	/
2	8C	WH/VT	ECU	14	7A	BN/WH	ECU	25	5B	GN/RD	ECU
3	6C	BN/GY	ECU	15	8A	BN/GN	ECU	26	/	/	/
4	9A	BN/BK	ECU	16	/	/	/	27	/	/	/
5	4C	GN/WH	ECU	17	10B	WH/BU	ECU	28	/	/	/
6	/	/	/	18	/	/	/	29	/	/	/
7	/	/	/	19	/	/	/	30	/	/	/
8	CANH	YE	For Program	20	/	/	/	31	/	/	/
9	CANL	GN	For Program	21	/	/	/	32	/	/	/
10	CONTROL+	RD/BU	DC Contactor	22	/	/	/	33	/	/	/
11	CONTROL-	BU	DC Contactor	23	/	/	/	34	5C	BN/YE	ECU
12	EXCITATION	BU/RD	Excitation	24	/	/	/	35	/	/	/

LOC2 Delphi Pin							
NO.	ID.	Color	Place	NO.	ID.	Color	Place
A	010A-2	RD	Power	J	11B	BU/RD	ECU
B	010A-3	RD	Power	K	3C	GN/RD	ECU
C	010A-4	RD	Power	L	/	BK	ECU
D	010A-5	RD	Power	M	6B	WH/BU	ECU
E	10B-2	WH/BU	ECU	N	GND-7	BK	Ground
F	12C	GN/BU	ECU	P	GND-8	BK	Ground
G	4B	WH/VT	ECU	R	GND-9	BK	Ground
H	11C	GN/VT	ECU	S	/	/	/

LOC1 Delphi Pin							
NO.	ID.	Color	Place	NO.	ID.	Color	Place
A	/	/	/	J	11B	WH	Lift Up Limit Switch
B	/	RD	Press Sensor Signal	K	/	GN	Pressure Sensor
C	010A-4	RD	Press Sensor Signal	L	/	WH	/
D	010A-5	RD	Power	M	/	RD	Lift Down Valve
E	10B-2	WH/BU	Pothole Switch	N	/	BU	Lift Down Valve
F	12C	GN	Lift Down Limit Switch	P	B	BU	Ground
G	/	WH+GN	Angle Sensor	R	/	BK	Ground of Angle Sensor and Pressure Sensor
H	11C	GN/VT	Tilt Sensor	S	/	/	/





Hydraulic Schematic